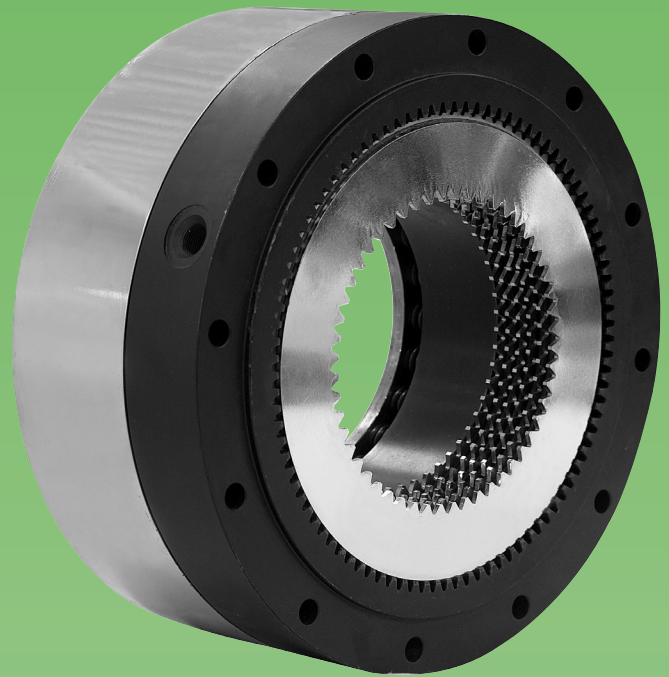


TRANSFLUID



TRANSFLUID

trasmissioni industriali



drive with us

SL
SPRING LOADED BRAKES

SL SPRING LOADED BRAKES

OPERATION

The spring loaded SL brakes are designed for all applications where a fail safe brake is required. The brake consists of an hydraulic assembly, a plate assembly and a driven hub which can be supplied by TRANSFLUID upon request or can be manufactured by Customer.

SL brake is a hydro-mechanical device which is Spring Loaded and hydraulically released.

A spring load exerts a compressive force between steel plates, which are mounted on the rotating shaft, and sintered plates mounted in the gear tooth ring.

When oil pressure is applied, the spring load is relieved and the plates are free to move axially on the shaft hub allowing free rotation of the shaft. The brake is re-applied by dumping the oil pressure.

BRAKE SELECTION

Applications, where the brake is used to stop low inertia loads, can be handled with a brake having a torque rating equal to the full load torque of the motor. In this case use the formula:

$$T_s = \frac{N \times 9550}{\text{rpm}}$$

Where: T_s = brake static torque in Nm
 N = motor power in kW
 rpm = brake shaft speed

To brake high inertia loads, or when operating conditions are particularly severe, we suggest the following formula is used to select the brake:

$$T_d = \frac{GD^2 \times \text{rpm}}{38.2 \times t}$$

Where: T_d = brake dynamic torque in Nm
 GD^2 = inertia reduced to brake shaft Kgm^2 .
 rpm = brake shaft speed
 t = braking time in sec.

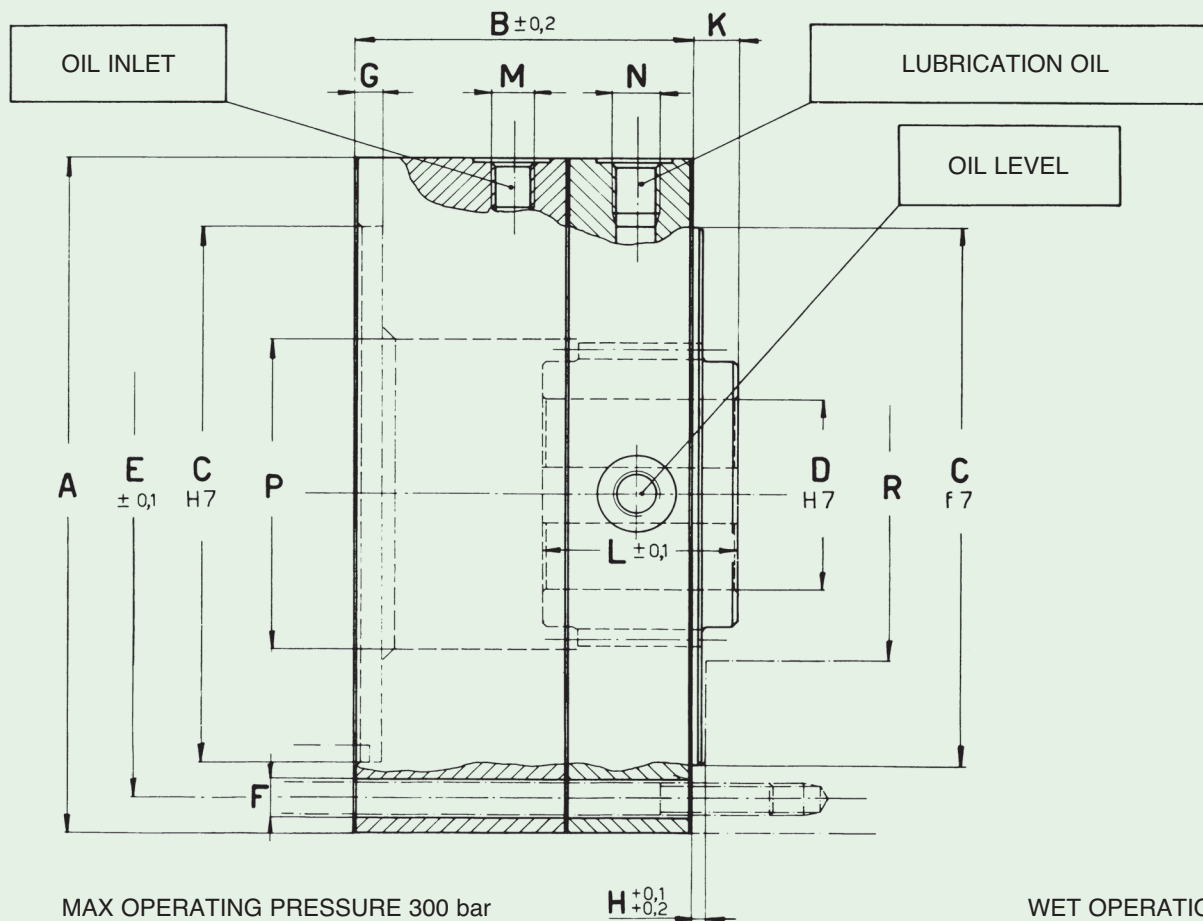
The correct brake can be selected by using the above mentioned formula but our technical department will be pleased to make the selection for you.

LUBRICATION

Use SAE 10 W oil.

Model	Static torque T_s (Nm)	Dynamic Torque T_d (Nm)					Release pressure (bar)
		Torque at zero rpm	Torque	rpm	Torque	rpm	
SL 630 (12E)	187	160	125	1000	93	2000	11.5
SL 630	230	198	153	1000	115	2000	14
SL 640 (18E)	430	370	290	1000	220	2000	14
SL 640	540	463	365	1000	280	2000	17
SL 450	670	580	450	850	338	1700	24
SL 750	1180	1020	795	850	593	1700	24
SL 760	1800	1550	1200	750	900	1500	21.3
SL 960	2320	1990	1555	750	1160	1500	21.3
SL 770	3180	2730	2130	650	1590	1300	24.2
SL 970	4090	3510	2730	650	2045	1300	24.2
SL 780	4570	3920	3060	550	2285	1100	23.3
SL 980	5870	5040	3930	550	2940	1100	23.3
SL 790	6860	5560	2840	475	2840	950	24
SL 990	8830	7160	3630	475	3630	950	24

► For economical quantities



Model	DWG	A	B	C	D		E	F		G	H	K	L	M	N (BSP)	P	R	Weight kg (w/o oil)
					Min	Max		Dia	Nr									
SL 630	A 6708	129	72.5	100	18	30	115	8.5	8	4	2.5	3	32	1/8 BSP	1/8	40.5	63.5	7
SL 640	A 6100	159	65	130	20	42	145	8.5	12	5	3	8	40	M10x1	1/4	70	81.5	8.5
SL 450	A 5975-A	195	79	155	25	55	175	10.5	8	7.5	3	13	42	M12x1.5	1/4	90	101.5	11.5
SL 750	A 5975	195	90	155	25	55	175	10.5	8	7.5	3	13	55	M12x1.5	1/4	90	101.5	13
SL 760	A 5601	225	95.8	180	30	65	205	10.5	8	7.5	3	18	65	M12x1.5	1/4	103	103	18
SL 960	A 5601-A	225	105	180	30	65	205	10.5	8	7.5	3	18	75	M12x1.5	1/4	103	103	20
SL 770	A 5602	255	112	210	35	75	235	12.5	8	9.5	3	17.5	70	M14x1.5	3/8	118	118	27.2
SL 970	A 5602-A	255	122.5	210	35	75	235	12.5	8	9.5	3	17.5	80	M14x1.5	3/8	118	118	29.5
SL 780	A 5618	295	115	240	40	90	270	12.5	8	9.5	3	27.5	90	M14x1.5	3/8	143	151	36
SL 980	A 5618-A	295	125.5	240	40	90	270	12.5	8	9.5	3	27.5	100	M14x1.5	3/8	143	151	39
SL 790	A 5619	328	137	270	50	110	302	12.5	12	12.5	4	33.5	110	M14x1.5	3/8	162	182	52.2
SL 990	A 5619-B	328	150	270	50	110	302	12.5	12	12.5	4	33.5	123	M14x1.5	3/8	162	182	59.2

For economical quantities

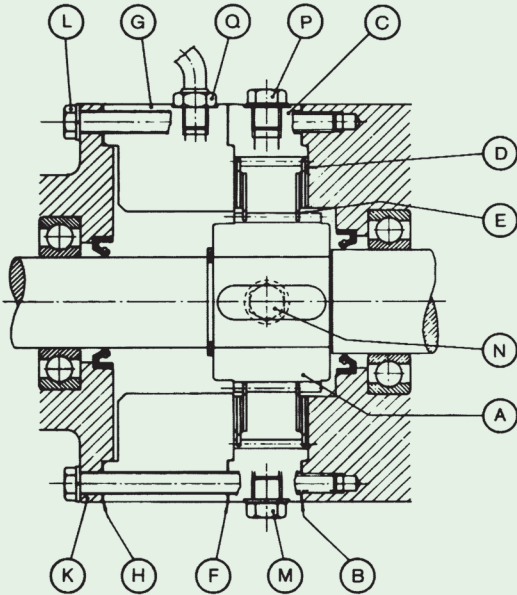
SL SPRING LOADED BRAKES

ASSEMBLY

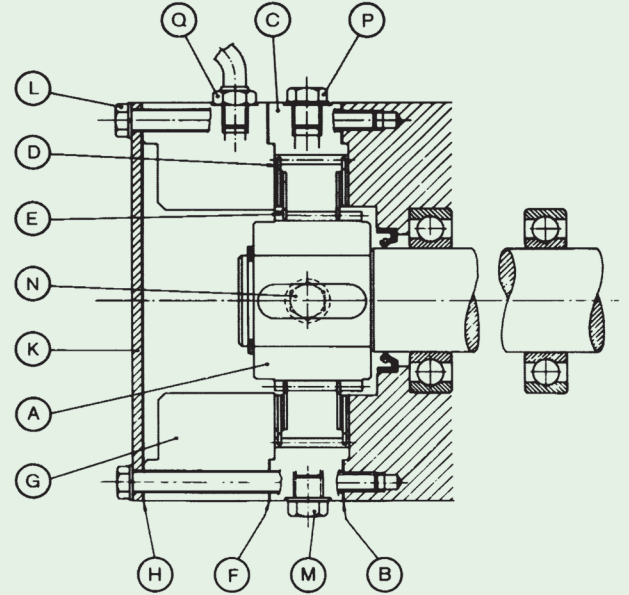
- 1 - Fit hub A onto the shaft.
- 2 - Mount gasket B and gear tooth ring C on the frame of the machine.
- 3 - Insert the plates as follows: sintered plate D, steel plate E and so on: the complete pack should end with a sintered plate D.
- 4 - Mount gasket F, hydraulic assembly G, gasket H and end plate K.

- 5 - Tighten screws L up to a particular locking torque.
- 6 - Close outlet hole by plug M (supplied by Customer).
- 7 - Fill with oil the plate group up to the level hole which must then be closed by plug N (supplied by Customer). Close filling hole by plug P (supplied by Customer).
- 8 - Connect the hydraulic assembly to the hydraulic circuit with pipe Q (supplied by Customer).

Through shaft mounting

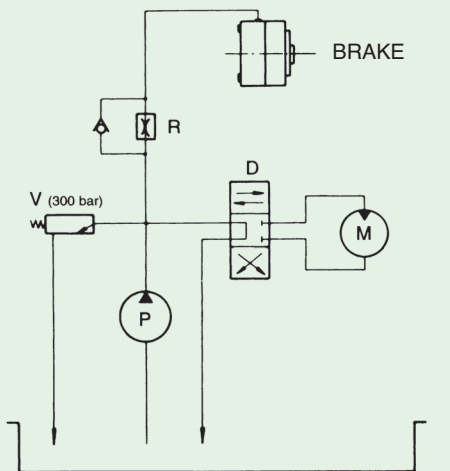


Outboard mounting



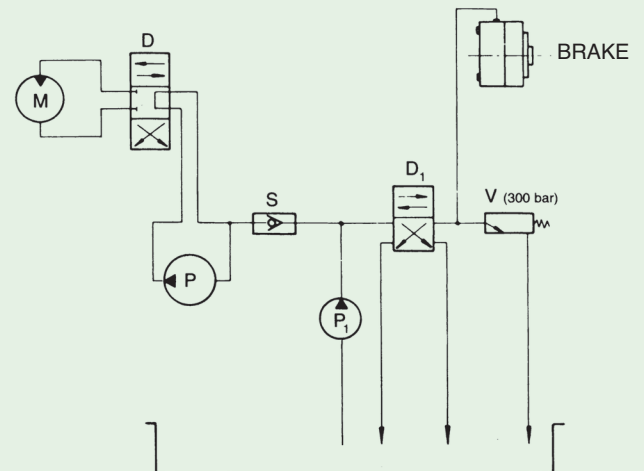
HYDROSTATIC TRANSMISSIONS APPLICATIONS

Open circuit hydraulic diagram



P = Pump
D = Control valve
M = Hydraulic motor
R = Retarder
V = Max pressure valve

Closed circuit hydraulic diagram



P₁ = Charging pump
D₁ = Brake control valve
S = One way valve

FRANCE
TRANSFLUID FRANCE s.a.r.l.
38500 Voiron
Tel.: +33.9.75635310
Fax: +33.4.26007959
tfrance@transfluid.it

RUSSIAN FEDERATION
TRANSFLUID OOO
Moscow
Tel.: +7.495.4966004
Mob.: +7.926.8167357
tfrussia@transfluid.it

U.S.A. & CANADA & MEXICO
TRANSFLUID LLC
Auburn, GA 30011
Tel.: +1.770.8221777
Fax: +1.770.8221774
tfusa@transfluid.it

BRAZIL
TRANSFLUID DO BRASIL
Representative Office
05014-060 Sao Paulo SP
Tel.: +55.11.48235308
Fax: +55.11.48235308
tbrasil@transfluid.it

CHINA
TRANSFLUID BEIJING TRADE CO.
LTD
Beijing
Tel.: +86.60442301-2
Fax: +86.60442305
tbtinfo@sina.com