

PRODUCT CATALOGUE  
2009

MARBETT®  
CONVEYOR COMPONENTS  
SUPPORTING AND LEVELLING ELEMENTS  
SELF-ALIGNING BEARINGS

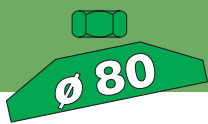


FlatTop Europe

**REXNORD**  
PRECISION. POWER. PERFORMANCE.

# Articulated Feet Gripper

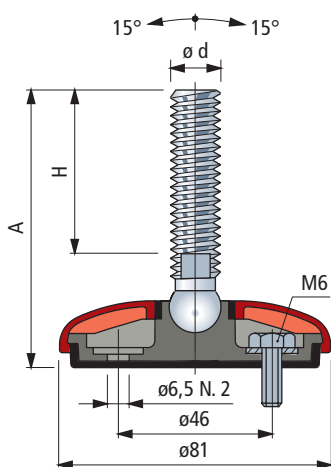
in reinforced polypropylene



- Best choice
- Standard
- On request

## Part. R0626

Microban® antibacterial protection



### Protection cap

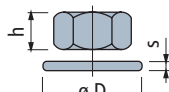


Colour	Code
Dark grey	R0626641912
White	R0626641922
Blue	R0626641932
Orange	R0626641942
Black	R0626641952

- Material : polypropylene PP, with Microban® antibacterial protection.
- Packaging : 24 pieces.
- Customized cap with customer logo.
- Other colours available upon request.

### Accessories

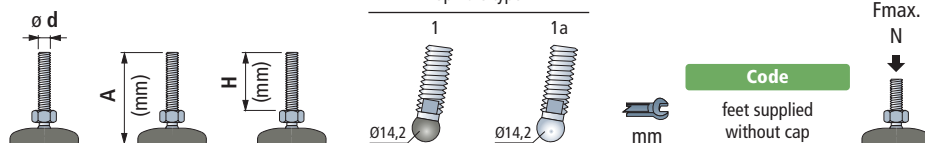
#### Nut + Washer



	Code	Stainless steel AISI 304	Zinc plated steel	h mm	øD mm	s mm	
M10	R0000630182	R0000630112		8	17	21	2
M12	R0000630192	R0000630122		10	19	24	2,5
M14	R0000630202	R0000630132		11	22	28	2,5
M16	R0000630212	R0000630142		13	24	30	3
M20	R0000630222	R0000630152		16	30	37	3
M24	R0000630232	R0000630162		19	36	44	4

Packaging : 24 pieces ( for M10 ).  
8 pieces ( for M12, M14, M16, M20, M24 ).

Spindle type



### Spindle in stainless steel

						Code	
M10	100	70	1	-	8	627533	8000
M12	85	55	1	-	10	627543	
	145	115	1	-	10	627553	10000
M14	110	76	-	1a	13	641712	
	100	64	-	1a	13	641722	
M16	115	81	-	1a	13	641732	
	160	124	-	1a	13	641742	10000
	185	151	-	1a	13	641752	
M20	120	84	-	1a	16	641762	10000
	185	149	-	1a	16	641772	
M24	185	146	-	1a	19	641782	

### Spindle in zinc plated steel

	60	30	1	-	8	602603	8000
M10	95	65	1	-	8	627563	
	145	115	1	-	8	627573	
	65	35	1	-	10	627583	8000
M12	100	70	1	-	10	627593	
	120	90	1	-	10	627603	
	90	56	-	1a	11	641792	10000
	95	61	-	1a	13	641812	
M16	130	96	-	1a	13	641822	
	150	116	-	1a	13	641832	
	185	151	-	1a	13	641842	10000
	235	201	-	1a	13	627613	
	135	100	-	1a	16	641862	10000
M20	185	150	-	1a	16	641872	
	250	214	-	1a	16	641882	10000
	120	81	-	1a	19	641892	
M24	185	146	-	1a	19	641902	



Foot base and protection cap, supplied with Microban® antibacterial protection.

By penetrating the cell wall of bacteria Microban® inhibits the growth of most common food poisoning bacteria, such as E.coli, Salmonella, Listeria, S-aureus, Campylobacter, which can cause contamination and odour.

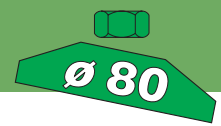
### Item code for order = Part. + Code

\* = Feet are supplied without protection caps. Caps have to be ordered separately, indicating selected colour.

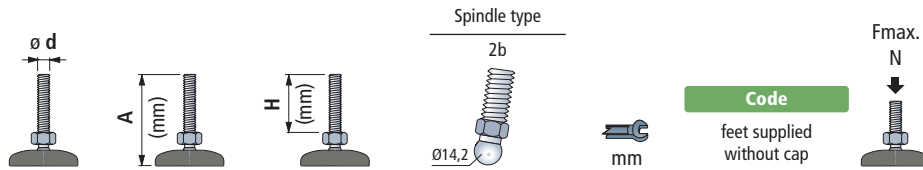
- Base material : reinforced polypropylene with integrated anti-slip in thermoplastic rubber grey ( 80 Shore ).
- Materials are supplied with Microban® antibacterial protection.
- The sealing of the internal structure guarantees a better hygiene.
- Feet can be fixed to the floor.
- Note : for spindles type 1 ball in reinforced polyamide.
- Packaging : 24 pieces.
- On request different length.
- Fmax. = maximum applicable load in static conditions.

# Articulated Feet Gripper

in reinforced polypropylene



- Best choice
- Standard
- ✓ On request



Spindle in stainless steel						10000
	A	H	2b	mm	Code	
M10	95	67	2b	14	641392	
M12	85	55	2b	14	641402	
	145	115	2b	14	641412	

Spindle in zinc plated steel						10000
	A	H	2b	mm	Code	
M10	60	30	2b	14	641522	
	95	65	2b	14	641532	
	145	115	2b	14	641542	
M12	65	35	2b	14	641552	
	100	70	2b	14	641562	
	120	90	2b	14	641572	
M16	80	48	2b	16	641592	
	100	68	2b	16	641602	
	120	89	2b	16	641612	
	160	130	2b	16	643052	
	195	165	2b	16	641632	
	235	201	2b	16	641642	

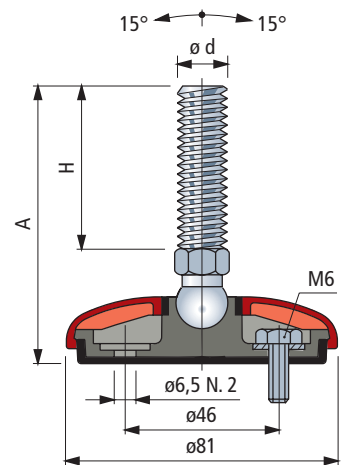
**Microban®** antibacterial protection. Foot base and protection cap, supplied with Microban® antibacterial protection. By penetrating the cell wall of bacteria Microban® inhibits the growth of most common food poisoning bacteria, such as E.coli, Salmonella, Listeria, S-aureus, Campylobacter, which can cause contamination and odour.

**Item code for order = Part. + Code**

- \* = Feet are supplied without protection caps. Caps have to be ordered separately, indicating selected colour.
- Base material : reinforced polypropylene with integrated anti-slip in thermoplastic rubber grey ( 80 Shore ).
- Materials are supplied with Microban® antibacterial protection.
- The sealing of the internal structure guarantees a better hygiene.
- Feet can be fixed to the floor.
- Packaging : 24 pieces.
- On request different length.
- Fmax. = maximum applicable load in static conditions.

## Part. R0626

Microban® antibacterial protection



**Protection cap**

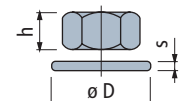


Colour	Code
Dark grey	R0626641912
White	R0626641922
Blue	R0626641932
Orange	R0626641942
Black	R0626641952

- Material : polypropylene PP, with Microban® antibacterial protection.
- Packaging : 24 pieces.
- Customized cap with customer logo.
- Other colours available upon request.

**Accessories**

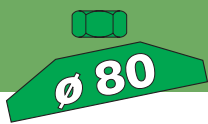
**Nut + Washer**



	Code		h	s	ø D
	Stainless steel AISI 304	Zinc plated steel	mm	mm	mm
M10	R0000630182	R0000630112	8	17	21
M12	R0000630192	R0000630122	10	19	24
M14	R0000630202	R0000630132	11	22	28
M16	R0000630212	R0000630142	13	24	30
M20	R0000630222	R0000630152	16	30	37
M24	R0000630232	R0000630162	19	36	44

Packaging : 24 pieces ( for M10 ).  
8 pieces ( for M12, M14, M16, M20, M24 ).

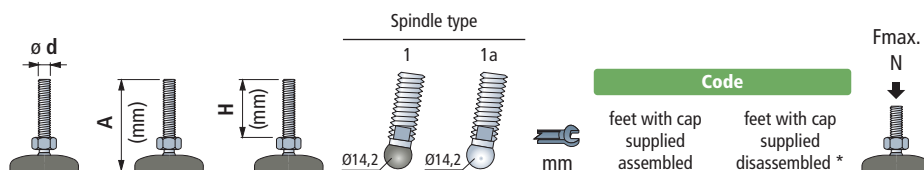
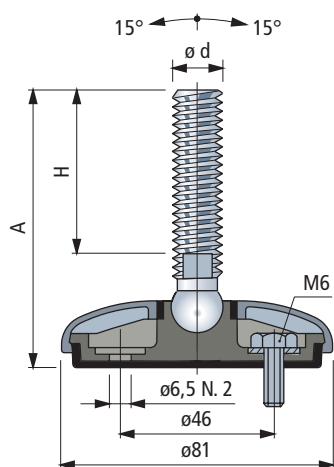
# Articulated Feet Gripper in stainless steel



- ✔ Best choice
- ✔ Standard
- On request

## Part. R0627

Microban® antibacterial protection



### Spindle in stainless steel

Spindle	Spindle type					Code		Fmax. N
	1	1a	1	1a	1	1a		
M10	100	70	1	-	8	627623	627653	8000
M12	85	55	1	-	10	627633	627663	
	145	115	1	-	10	627643	627673	
M14	110	76	-	1a	13	642102	647322	10000
	100	64	-	1a	13	642112	647332	
M16	115	81	-	1a	13	642122	647342	
	160	124	-	1a	13	642132	647352	
	185	151	-	1a	13	642142	647362	
M20	120	84	-	1a	16	642152	647372	
	185	149	-	1a	16	642162	647382	
M24	185	149	-	1a	19	642172	647392	

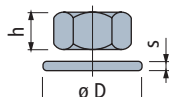
**Microban®** Foot base is supplied with Microban® antibacterial protection. By penetrating the cell wall of bacteria Microban® inhibits the growth of most common food poisoning bacteria, such as E.coli, Salmonella, Listeria, S-aureus, Campylobacter, which can cause contamination and odour.

### Item code for order = Part. + Code

- \* = Feet can be fixed to the floor.
- Protection cap material : stainless steel AISI 304.
- Base material : reinforced polypropylene with integrated anti-slip in thermoplastic rubber grey ( 80 Shore ).
- Materials are supplied with Microban® antibacterial protection.
- The sealing of the internal structure guarantees a better hygiene.
- Note : for spindles type 1 ball in reinforced polyamide.
- Packaging : 24 pieces.
- On request different length.
- Fmax. = maximum applicable load in static conditions.

### Accessories

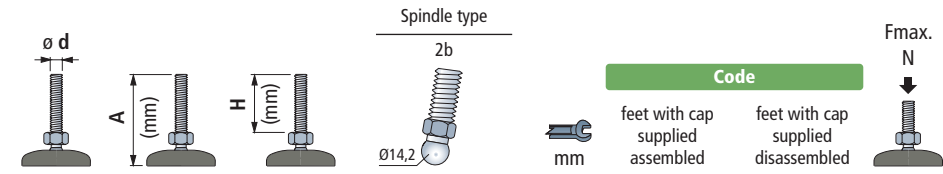
#### Nut + Washer



Code		h	øD	s
Stainless steel AISI 304		mm	mm	mm
M10	R0000630182	8	17	21
M12	R0000630192	10	19	24
M14	R0000630202	11	22	28
M16	R0000630212	13	24	30
M20	R0000630222	16	30	37
M24	R0000630232	19	36	44

Packaging : 24 pieces ( for M10 ).  
8 pieces ( for M12, M14, M16, M20, M24 ).

- Best choice
- Standard
- ✓ On request



Spindle in stainless steel				Code		Fmax. N ↓
				feet with cap supplied assembled	feet with cap supplied disassembled	
M10	95	67	2b	14	641972	647292
M12	85	55	2b	14	641982	647302
	145	115	2b	14	641992	647312

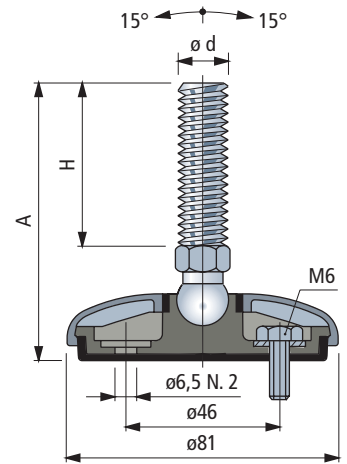
**Microban®** Foot base is supplied with Microban® antibacterial protection. By penetrating the cell wall of bacteria Microban® inhibits the growth of most common food poisoning bacteria, such as E.coli, Salmonella, Listeria, S-aureus, Campylobacter, which can cause contamination and odour.

**Item code for order = Part. + Code**

- \* = Feet can be fixed to the floor.
- Protection cap material : stainless steel AISI 304.
- Base material : reinforced polypropylene with integrated anti-slip in thermoplastic rubber grey ( 80 Shore ).
- Materials are supplied with Microban® antibacterial protection.
- The sealing of the internal structure guarantees a better hygiene.
- Note : for spindles type 1 ball in reinforced polyamide.
- Packaging : 24 pieces.
- On request different length.
- Fmax. = maximum applicable load in static conditions.

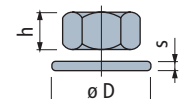
**Part. R0627**

Microban® antibacterial protection



**Accessories**

**Nut + Washer**



	Code	Stainless steel AISI 304	h mm	$\varnothing D$ mm	s mm
M10	<b>R0000630182</b>		8	17	21 2
M12	<b>R0000630192</b>		10	19	24 2,5
M14	<b>R0000630202</b>		11	22	28 2,5
M16	<b>R0000630212</b>		13	24	30 3
M20	<b>R0000630222</b>		16	30	37 3
M24	<b>R0000630232</b>		19	36	44 4

Packaging : 24 pieces ( for M10 ).  
8 pieces ( for M12, M14, M16, M20, M24 ).

# Articulated Feet Gripper

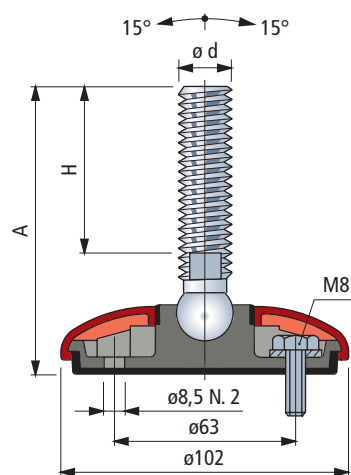
in reinforced polypropylene



- ✔ Best choice
- ✔ Standard
- On request

## Part. R0622

Microban® antibacterial protection



### Protection cap

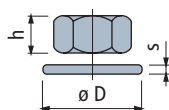


Colour	Code
Dark grey	R0622637052
White	R0622637062
Blue	R0622637072
Orange	R0622637082
Black	R0622639412

- Material : polypropylene PP, with Microban® antibacterial protection.
- Packaging : 24 pieces.
- Customized cap with customer logo.
- Other colours available upon request.

### Accessories

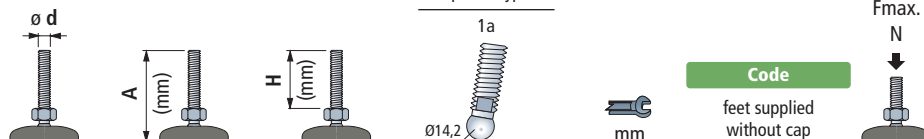
#### Nut + Washer



	Code		h	s	øD
	Stainless steel AISI 304	Zinc plated steel			
M14	R0000630202	R0000630132	11	22	28 2,5
M16	R0000630212	R0000630142	13	24	30 3
M20	R0000630222	R0000630152	16	30	37 3
M24	R0000630232	R0000630162	19	36	44 4

Packaging : 8 pieces.

Spindle type



### Spindle in stainless steel

M	A (mm)	H (mm)	Spindle type	mm	Code	Fmax. N
M14	115	76	1a	11	643542	19500
	105	64	1a	13	643552	
	120	81	1a	13	643562	
M16	150	100	1a	13	640372N	
	165	124	1a	13	643572	
	190	151	1a	13	643582	
	200	150	1a	13	640392N	
M20	125	84	1a	16	643592	
	190	149	1a	16	643602	
M24	120	74	1a	19	640402N	
	190	146	1a	19	643612	
	220	172	1a	19	640412N	

### Spindle in zinc plated steel

M	A (mm)	H (mm)	Spindle type	mm	Code	Fmax. N
M14	95	56	1a	11	643622	19500
	100	61	1a	13	643632	
M16	135	96	1a	13	643642	
	155	116	1a	13	643652	
	190	151	1a	13	643662	
M20	120	74	1a	16	637382N	
	140	100	1a	16	643672	
	155	106	1a	16	637392N	
	190	150	1a	16	643682	
M24	255	214	1a	16	643692	
	125	81	1a	19	643702	
	190	146	1a	19	643712	

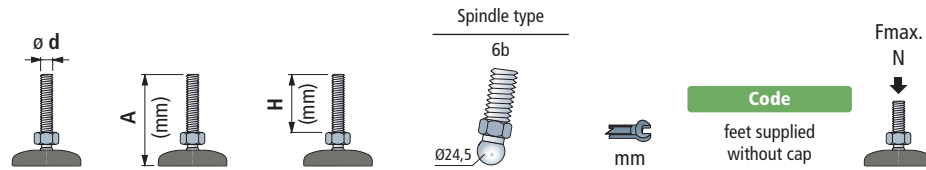


Foot base and protection cap, supplied with Microban® antibacterial protection. By penetrating the cell wall of bacteria Microban® inhibits the growth of most common food poisoning bacteria, such as E.coli, Salmonella, Listeria, S-aureus, Campylobacter, which can cause contamination and odour.

### Item code for order = Part. + Code

- \* = Feet are supplied without protection caps. Caps have to be ordered separately, indicating selected colour.
- Base material : reinforced polypropylene with integrated anti-slip in thermoplastic rubber grey ( 80 Shore ).
- Materials are supplied with Microban® antibacterial protection.
- The sealing of the internal structure guarantees a better hygiene.
- Feet can be fixed to the floor.
- Packaging : 24 pieces.
- On request different length.
- Fmax. = maximum applicable load in static conditions.

- Best choice
- Standard
- ✓ On request



Spindle in stainless steel					
M16	115	74	6b	24	637262
	150	109	6b	24	637272
	185	144	6b	24	637282
	200	159	6b	24	637292
M20	120	76	6b	24	637442
	185	141	6b	24	637452
M24	120	79	6b	24	637322
	220	179	6b	24	637332

19500

Spindle in zinc plated steel					
M16	95	54	6b	24	637342
	130	89	6b	24	637352
	160	119	6b	24	637362
	195	154	6b	24	637372
M20	120	76	6b	24	637462
	155	111	6b	24	637472
	185	141	6b	24	637482
M24	120	79	6b	24	637422
	185	144	6b	24	637432

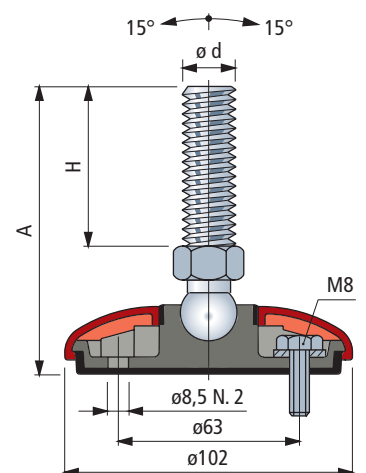
19500

**Microban®** Foot base and protection cap, supplied with Microban® antibacterial protection. By penetrating the cell wall of bacteria Microban® inhibits the growth of most common food poisoning bacteria, such as E.coli, Salmonella, Listeria, S-aureus, Campylobacter, which can cause contamination and odour.

- Item code for order = Part. + Code**
- \* = Feet are supplied without protection caps. Caps have to be ordered separately, indicating selected colour.
  - Base material : reinforced polypropylene with integrated anti-slip in thermoplastic rubber grey ( 80 Shore ).
  - Materials are supplied with Microban® antibacterial protection.
  - The sealing of the internal structure guarantees a better hygiene.
  - Feet can be fixed to the floor.
  - Packaging : 24 pieces.
  - On request different length.
  - Fmax. = maximum applicable load in static conditions.

## Part. R0622

Microban® antibacterial protection



### Protection cap

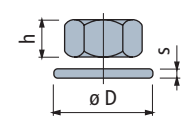


Colour	Code
Dark grey	R0622637052
White	R0622637062
Blue	R0622637072
Orange	R0622637082
Black	R0622639412

- Material : polypropylene PP, with Microban® antibacterial protection.
- Packaging : 24 pieces.
- Customized cap with customer logo.
- Other colours available upon request.

### Accessories

#### Nut + Washer



	Code		h	ø D	s
	Stainless steel	Zinc plated steel	mm	mm	mm
M14	R0000630202	R0000630132	11	22	2,5
M16	R0000630212	R0000630142	13	24	3
M20	R0000630222	R0000630152	16	30	3
M24	R0000630232	R0000630162	19	36	4

Packaging : 8 pieces.

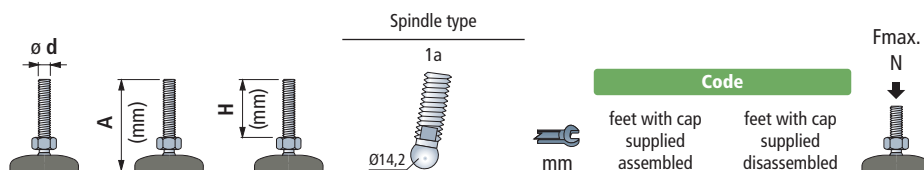
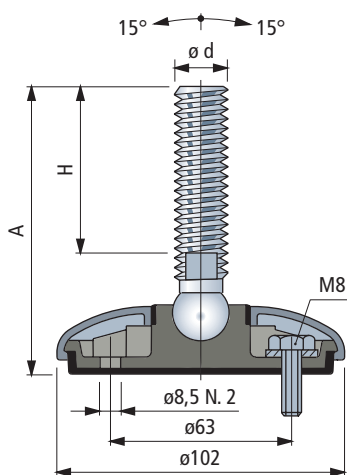


# Articulated Feet Gripper in stainless steel

- Best choice
- Standard
- On request

## Part. R0623

Microban® antibacterial protection



### Spindle in stainless steel

Spindle	A (mm)	H (mm)	Spindle type	mm	Code		Fmax. N
					feet with cap supplied assembled	feet with cap supplied disassembled	
M14	115	76	1a	11	643722	647402	19500
	105	64	1a	13	643732	647412	
	120	81	1a	13	643742	647442	
M16	150	100	1a	13	640492N	647462N	
	165	124	1a	13	643752	647472	
	190	151	1a	13	643762	647502	
	200	150	1a	13	640512N	647522N	
M20	125	84	1a	16	643772	647552	
	190	149	1a	16	643782	647582	
M24	120	74	1a	19	640522N	647602N	
	190	146	1a	19	643792	647612	
	220	172	1a	19	640532N	647632N	

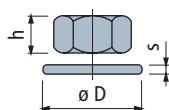
**Microban®** Foot base is supplied with Microban® antibacterial protection. By penetrating the cell wall of bacteria Microban® inhibits the growth of most common food poisoning bacteria, such as E.coli, Salmonella, Listeria, S-aureus, Campylobacter, which can cause contamination and odour.

### Item code for order = Part. + Code

- \* = Feet can be fixed to the floor.
- Protection cap material : stainless steel AISI 304.
- Base material : reinforced polypropylene with integrated anti-slip in thermoplastic rubber grey ( 80 Shore ).
- Materials are supplied with Microban® antibacterial protection.
- The sealing of the internal structure guarantees a better hygiene.
- Note : for spindles type 1 ball in reinforced polyamide.
- Packaging : 24 pieces.
- On request different length.
- Fmax. = maximum applicable load in static conditions.

### Accessories

#### Nut + Washer

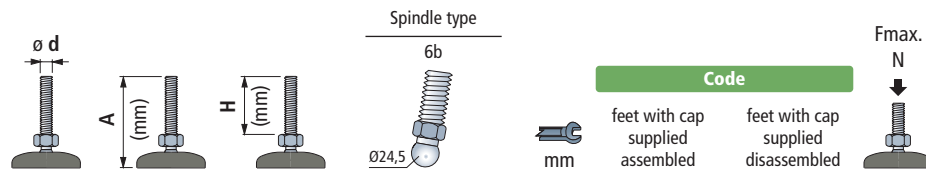


Spindle	Code	h (mm)	s (mm)	øD (mm)
M14	R0000630202	11	22	28
M16	R0000630212	13	24	30
M20	R0000630222	16	30	37
M24	R0000630232	19	36	44

Packaging : 8 pieces.



- Best choice
- Standard
- ✓ On request



Spindle in stainless steel						
			Spindle type		Code	
				mm	feet with cap supplied assembled	feet with cap supplied disassembled
M16	115	74	6b	24	637512	647422
	150	109	6b	24	637522	647452
	185	144	6b	24	637532	647482
	200	159	6b	24	637542	647512
M20	120	74	6b	24	637692	647532
	185	139	6b	24	637702	647562
M24	120	79	6b	24	637572	647592
	220	179	6b	24	637582	647622

19500

## Part. R0623

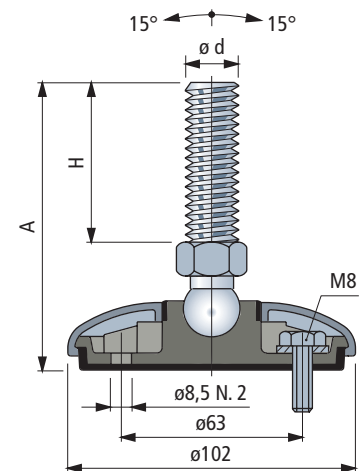
Microban® antibacterial protection



**Microban®** Foot base is supplied with Microban® antibacterial protection. By penetrating the cell wall of bacteria Microban® inhibits the growth of most common food poisoning bacteria, such as E.coli, Salmonella, Listeria, S-aureus, Campylobacter, which can cause contamination and odour.

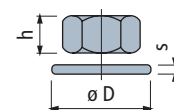
### Item code for order = Part. + Code

- \* = Feet can be fixed to the floor.
- Protection cap material : stainless steel AISI 304.
- Base material : reinforced polypropylene with integrated anti-slip in thermoplastic rubber grey ( 80 Shore ).
- Materials are supplied with Microban® antibacterial protection.
- The sealing of the internal structure guarantees a better hygiene.
- Note : for spindles type 1 ball in reinforced polyamide.
- Packaging : 24 pieces.
- On request different length.
- Fmax. = maximum applicable load in static conditions.



### Accessories

#### Nut + Washer



	Code				
	Stainless steel AISI 304	h	mm	øD	s
M14	R0000630202	11	22	28	2,5
M16	R0000630212	13	24	30	3
M20	R0000630222	16	30	37	3
M24	R0000630232	19	36	44	4

Packaging : 8 pieces.

# Articulated Feet Gripper

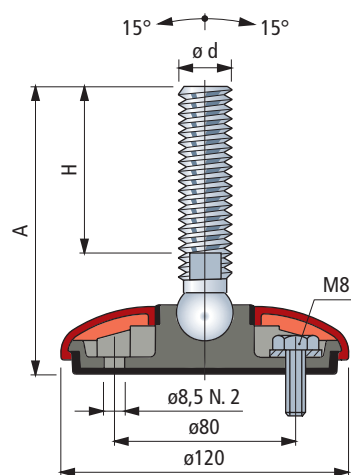
in reinforced polypropylene



- ✔ Best choice
- ✔ Standard
- On request

## Part. R0628

Microban® antibacterial protection



### Protection cap

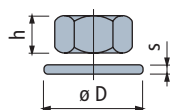


Colour	Code
Dark grey	R0628643062
White	R0628643072
Blue	R0628643082
Orange	R0628643092
Black	R0628643102

- Material : polypropylene PP, with Microban® antibacterial protection.
- Packaging : 24 pieces.
- Customized cap with customer logo.
- Other colours available upon request.

### Accessories

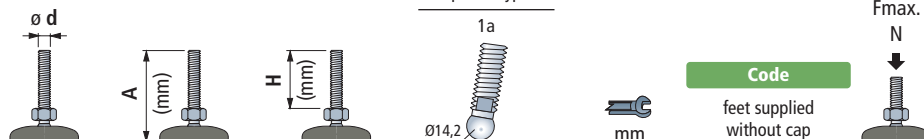
#### Nut + Washer



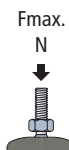
	Code		h	s	øD
	Stainless steel AISI 304	Zinc plated steel			
M14	R0000630202	R0000630132	11	22	28 2,5
M16	R0000630212	R0000630142	13	24	30 3
M20	R0000630222	R0000630152	16	30	37 3
M24	R0000630232	R0000630162	19	36	44 4

Packaging : 8 pieces.

Spindle type



**Code**  
feet supplied without cap



### Spindle in stainless steel

M14	120	76	1a	11	<b>643802</b>	22000
	110	64	1a	13	<b>643812</b>	
	125	81	1a	13	<b>643822</b>	
M16	155	100	1a	13	<b>642472N</b>	
	170	124	1a	13	<b>643832</b>	
	195	151	1a	13	<b>643842</b>	
	205	150	1a	13	<b>642512N</b>	
M20	130	84	1a	16	<b>643852</b>	
	195	149	1a	16	<b>643862</b>	
M24	125	74	1a	19	<b>642572N</b>	
	195	146	1a	19	<b>643872</b>	
	225	172	1a	19	<b>642592N</b>	

### Spindle in zinc plated steel

M14	100	56	1a	11	<b>643882</b>	22000
	105	61	1a	13	<b>643892</b>	
M16	140	96	1a	13	<b>643902</b>	
	160	116	1a	13	<b>643912</b>	
	195	151	1a	13	<b>643922</b>	
M20	125	74	1a	16	<b>642692N</b>	
	145	100	1a	16	<b>643932</b>	
	160	106	1a	16	<b>642712N</b>	
	195	150	1a	16	<b>643942</b>	
	260	214	1a	16	<b>643952</b>	
M24	130	81	1a	19	<b>643962</b>	
	195	146	1a	19	<b>643972</b>	

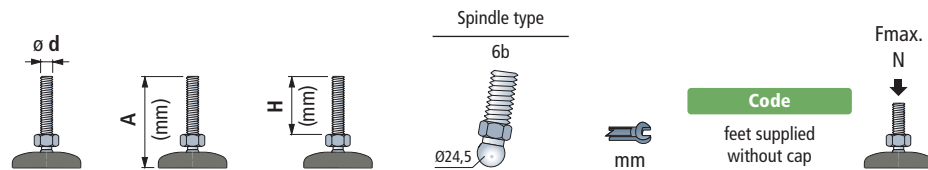


Foot base and protection cap, supplied with Microban® antibacterial protection. By penetrating the cell wall of bacteria Microban® inhibits the growth of most common food poisoning bacteria, such as E.coli, Salmonella, Listeria, S-aureus, Campylobacter, which can cause contamination and odour.

### Item code for order = Part. + Code

- \* = Feet are supplied without protection caps. Caps have to be ordered separately, indicating selected colour.
- Base material : reinforced polypropylene with integrated anti-slip in thermoplastic rubber grey ( 80 Shore ).
- Materials are supplied with Microban® antibacterial protection.
- The sealing of the internal structure guarantees a better hygiene.
- Feet can be fixed to the floor.
- Packaging : 24 pieces.
- On request different length.
- Fmax. = maximum applicable load in static conditions.

- Best choice
- Standard
- ✓ On request



Spindle in stainless steel					
M16	120	74	6b	24	642442
	155	109	6b	24	642462
	190	144	6b	24	642482
	205	159	6b	24	642502
M20	125	76	6b	24	642522
	190	141	6b	24	642542
M24	125	79	6b	24	642562
	225	179	6b	24	642582

22000

Spindle in zinc plated steel					
M16	100	54	6b	24	642602
	135	89	6b	24	642622
	165	119	6b	24	642642
	200	154	6b	24	642662
M20	125	76	6b	24	642682
	160	111	6b	24	642702
	190	141	6b	24	642722
M24	255	206	6b	24	642742
	125	79	6b	24	642762
	190	144	6b	24	642782

22000

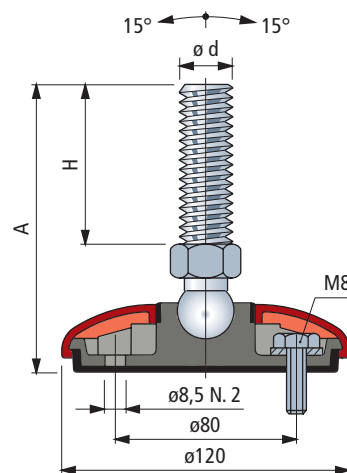
**Microban®** Foot base and protection cap, supplied with Microban® antibacterial protection. By penetrating the cell wall of bacteria Microban® inhibits the growth of most common food poisoning bacteria, such as E.coli, Salmonella, Listeria, S-aureus, Campylobacter, which can cause contamination and odour.

**Item code for order = Part. + Code**

- \* = Feet are supplied without protection caps. Caps have to be ordered separately, indicating selected colour.
- Base material : reinforced polypropylene with integrated anti-slip in thermoplastic rubber grey ( 80 Shore ).
- Materials are supplied with Microban® antibacterial protection.
- The sealing of the internal structure guarantees a better hygiene.
- Feet can be fixed to the floor.
- Packaging : 24 pieces.
- On request different length.
- Fmax. = maximum applicable load in static conditions.

## Part. R0628

Microban® antibacterial protection



**Protection cap**

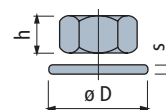


Colour	Code
Dark grey	R0628643062
White	R0628643072
Blue	R0628643082
Orange	R0628643092
Black	R0628643102

- Material : polypropylene PP, with Microban® antibacterial protection.
- Packaging : 24 pieces.
- Customized cap with customer logo.
- Other colours available upon request.

**Accessories**

**Nut + Washer**



	Code		h	øD	s
	Stainless steel AISI 304	Zinc plated steel			
M14	R0000630202	R0000630132	11	22	28 2,5
M16	R0000630212	R0000630142	13	24	30 3
M20	R0000630222	R0000630152	16	30	37 3
M24	R0000630232	R0000630162	19	36	44 4

Packaging : 8 pieces.

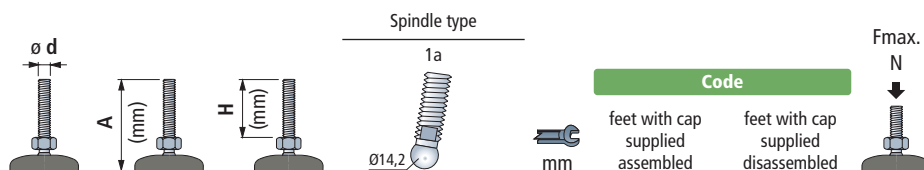
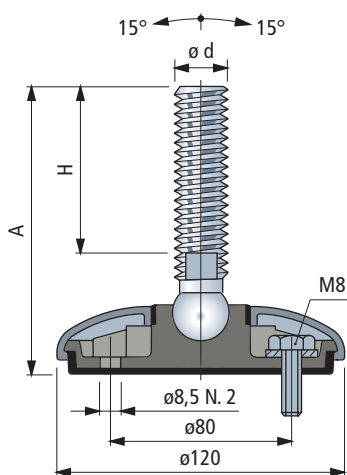


# Articulated Feet Gripper in stainless steel

- Best choice
- Standard
- On request

## Part. R0629

Microban® antibacterial protection



### Spindle in stainless steel

M	A (mm)	H (mm)	Spindle type	mm	Code	Code
M14	120	76	1a	11	643982	647642
	110	64	1a	13	643992	647652
	125	81	1a	13	644002	647682
M16	155	100	1a	13	642312N	647702N
	170	124	1a	13	644012	647712
	195	151	1a	13	644022	647742
	205	150	1a	13	642352N	647762N
M20	130	84	1a	16	644032	647792
	195	149	1a	16	644042	647822
M24	125	74	1a	19	642412N	647842N
	195	146	1a	19	644052	647852
	225	172	1a	19	642432N	647872N

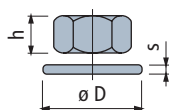
**Microban®** Foot base and protection cap, supplied with Microban® antibacterial protection. By penetrating the cell wall of bacteria Microban® inhibits the growth of most common food poisoning bacteria, such as E.coli, Salmonella, Listeria, S-aureus, Campylobacter, which can cause contamination and odour.

### Item code for order = Part. + Code

- \* = Feet are supplied without protection caps. Caps have to be ordered separately, indicating selected colour.
- Base material : reinforced polypropylene with integrated anti-slip in thermoplastic rubber grey ( 80 Shore ).
- Materials are supplied with Microban® antibacterial protection.
- The sealing of the internal structure guarantees a better hygiene.
- Feet can be fixed to the floor.
- Packaging : 24 pieces.
- On request different length.
- Fmax. = maximum applicable load in static conditions.

### Accessories

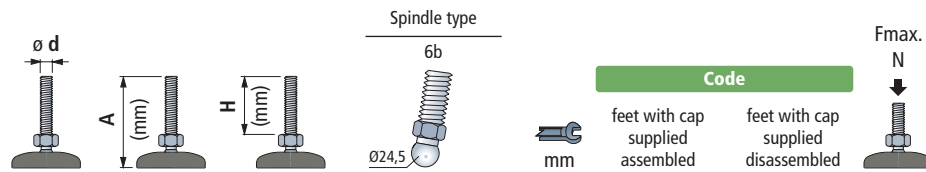
#### Nut + Washer



Code		h	mm	mm	mm	mm
Stainless steel						
AISI 304						
M14	R0000630202	11	22	28	2,5	
M16	R0000630212	13	24	30	3	
M20	R0000630222	16	30	37	3	
M24	R0000630232	19	36	44	4	

Packaging : 8 pieces.

- Best choice
- Standard
- ✓ On request



Spindle in stainless steel				Code		Fmax. N ↓
			mm	feet with cap supplied assembled	feet with cap supplied disassembled	
M16	120	74	6b	24	642282	647662
	155	109	6b	24	642302	647692
	190	144	6b	24	642322	647722
	205	159	6b	24	642342	647752
M20	125	76	6b	24	642362	647772
	190	141	6b	24	642382	647802
M24	125	79	6b	24	642402	647832
	225	179	6b	24	642422	647862

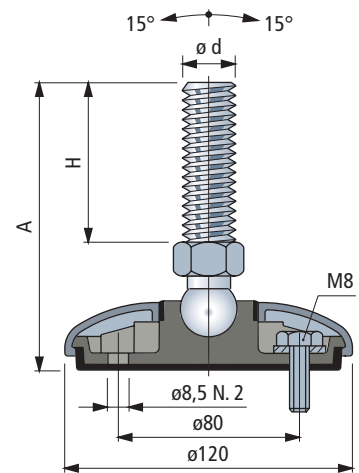
**Microban®** Foot base and protection cap, supplied with Microban® antibacterial protection. By penetrating the cell wall of bacteria Microban® inhibits the growth of most common food poisoning bacteria, such as E.coli, Salmonella, Listeria, S-aureus, Campylobacter, which can cause contamination and odour.

**Item code for order = Part. + Code**

- \* = Feet are supplied without protection caps. Caps have to be ordered separately, indicating selected colour.
- Base material : reinforced polypropylene with integrated anti-slip in thermoplastic rubber grey ( 80 Shore ).
- Materials are supplied with Microban® antibacterial protection.
- The sealing of the internal structure guarantees a better hygiene.
- Feet can be fixed to the floor.
- Packaging : 24 pieces.
- On request different length.
- Fmax. = maximum applicable load in static conditions.

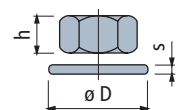
## Part. R0629

Microban® antibacterial protection



### Accessories

#### Nut + Washer



Code		h	s	øD
Stainless steel AISI 304		mm	mm	mm
M14	R0000630202	11	22	28
M16	R0000630212	13	24	30
M20	R0000630222	16	30	37
M24	R0000630232	19	36	44

Packaging : 8 pieces.

**AUSTRALIA**

Rexnord Australia Pty. Ltd.  
Picton, New South Wales  
Phone: 61-2-4677-3811  
Fax: 61-2-4677-3812

**BRAZIL**

Rexnord Correntes Ltda.  
Sao Leopoldo - RS  
Phone: 55-51-579-8022  
Fax: 55-51-579-8029

**CANADA**

Rexnord Canada Ltd.  
Scarborough, Ontario  
Phone: 1-416-297-6868  
Fax: 1-416-297-6873

**CHINA**

Rexnord China  
Shanghai  
Phone: 86-21-62701942  
Fax: 86-21-62701943

**FLATTOP EUROPE**

Rexnord FlatTop Europe b.v.  
's-Gravenzande, The Netherlands  
Phone: 31-174-445-111  
Fax: 31-174-445-222

Rexnord Marbett S.r.L.  
Correggio (RE), Italy  
Phone: 39-0522-639333  
Fax: 39-0522-637778

**UNITED STATES**

Customer Service  
Phone: 1-866-REXNORD  
(1-866-739-6673)  
Fax: 1-614-675-1898  
E-mail: rexnordcs(state)@rexnord.com  
Example: rexnordcsohio@rexnord.com

Rexnord FlatTop North America  
Grafton, Wisconsin  
Phone: 1-262-376-4700  
Fax: 1-262-376-4720

Rexnord International - Power Transmission  
Milwaukee, Wisconsin  
Phone: 1-414-643-2366  
Fax: 1-414-643-3222  
E-mail: international2@rexnord.com

**ALL COUNTRIES NOT LISTED**

Rexnord FlatTop Europe b.v.  
's-Gravenzande, The Netherlands  
Phone: 31-174-445-111  
Fax: 31-174-445-222

**After Hours/Emergency Phone:**  
31-174-445-112



www.rexnordflattop.com  
flattopeurope@rexnord.com