

PRODUCT CATALOGUE
2009




MARBETT®
CONVEYOR COMPONENTS
SUPPORTING AND LEVELLING ELEMENTS
SELF-ALIGNING BEARINGS



FlatTop Europe

REXNORD
PRECISION. POWER. PERFORMANCE.

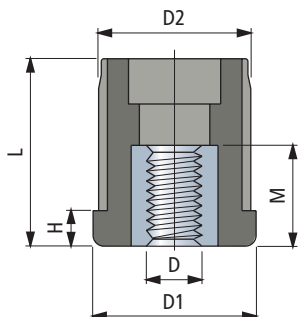
Threaded bushings for round tubes

-  **Best choice**
-  **Standard**
-  **On request**

Part. **R0180**

Tube dimensions

Outside dia. mm	Poll"	Thickness mm	Inside dia. mm	Thread D	D1 mm	D2 mm	H mm	L mm	M mm	Code	Fmax. N
											↓
26,9	3/4	1,5	23,9	M12	27	24	6	30	19	63128	3000
30	-	1	28	M10	30	28,4	6	34	19	61606	3000
				M12	30	28,4	6	34	19	63766	3000
33,7	1	1,5	30,7	M12	34	31	6	35	19	63118	3000
38	-	1,5	35	M10	37,5	35,5	9	44	19	68572	5000
				M16	37,5	35,5	9	44	24	63061	5000
42,4	1 1/4	1,5	39,4	M16	44,5	39,6	9	42	24	63071	5000
				M20	44,5	39,6	9	42	30	52691	8000
48,3	1 1/2	1,5	45,3	M16	48	45,5	10	52	24	63081	5000
				M20	48	45,5	10	52	30	58631	8000
		3	42,3	M16	48	42,6	10	52	24	616592	5000
50	-	1,5	47	M10	50	47,5	10,5	56	19	682812	3000
				M12	50	47,5	10,5	56	19	682822	3000
				M14	50	47,5	10,5	56	24	682832	3000
		2	46	M16	50	47,5	10,5	56	24	682842	5000
				M20	50	47,5	10,5	56	30	682852	8000
				M10	50	46,5	10,5	56	19	682862	3000
54	-	2	50	M12	50	46,5	10,5	56	19	682872	3000
				M14	50	46,5	10,5	56	24	682882	3000
				M16	50	46,5	10,5	56	24	682892	5000
		1,5	57,3	M20	50	46,5	10,5	56	30	682902	8000
				M16	54	50,8	10	62	24	647081	5000
				M20	54	50,8	10	62	30	649801	8000
60,3	2	2	56,3	M16	60	58	10	62	24	65154	5000
				M16	60	58	10	49	24	607241	5000
				M20	60	58	10	62	30	65164	8000
		2,5	55,3	M16	60	57	10	62	24	65174	5000
				M20	60	57	10	62	30	65184	8000
				M16	60	56	10	62	24	65194	5000
80	-	2	76	M20	60	56	10	62	30	65204	8000
				M14	80	76,5	10,5	90	24	682912	5000
				M16	80	76,5	10,5	90	24	682922	5000
		3	74	M20	80	76,5	10,5	90	30	682932	8000
				M24	80	76,5	10,5	90	28	682942	8000
				M14	80	74,5	10,5	90	24	682952	5000
M16	80	74,5	10,5	90	24	682962	5000				
								M20	80	74,5	10,5
M24	80	74,5	10,5	90	28	682982	8000				



 **Assembly**

Pressure fitted.
Interference fit.



- Material : bushing in reinforced polyamid PA FV (black). Threaded insert in nickel plated brass.
- Packaging : 50 pieces (codes 63128 - 63118 : 60 pieces). Version dia. 80 mm : 25 pieces.
- Fmax. = maximum applicable load in static conditions.

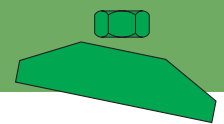
Tube dimensions B.S.I.

Outside dia. Inch	mm	Thickness Inch	mm	Inside dia. mm	Thread D	D1 mm	D2 mm	H mm	L mm	M mm	Code	Fmax. N
												↓
1,5"	38,1	0,065"	1,65	34,8	3/8"-16	37,5	35,5	9	44	19	672211	5000
					1/2"-13	37,5	35,5	9	44	19	59191	5000
					5/8"-11	37,5	35,5	9	44	24	59211	5000
2"	50,8	0,065"	1,65	47,5	3/8"-16	50	48,4	10	56	19	672221	5000
					1/2"-13	50	48,4	10	56	19	61681	5000
					5/8"-11	50	48,4	10	56	24	59221	5000
					3/4"-10	50	48,4	10	56	30	59201	8000
					M16	50	48,4	10	56	24	668191	5000

Item code for order = Part. + Code

- Material : bushing in reinforced polyamid PA FV (black). Threaded insert in nickel plated brass.
- Packaging : 50 pieces.
- Fmax. = maximum applicable load in static conditions.

Threaded bushings for square tubes

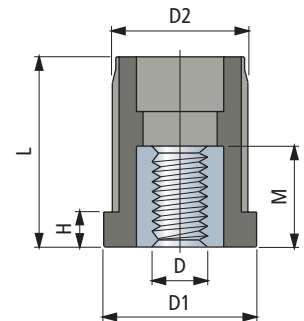


- ✔ **Best choice**
- ✔ **Standard**
- ✔ **On request**

Part. R0224

Metric tube dimensions

Outside mm	Thickness mm	Inside mm	Thread D	D1 mm	D2 mm	H mm	L mm	M mm	Code	Fmax. N ↓
∅ 30	1,5	27	M10	30	27,5	6	33	19	68182	5000
			M12	30	27,5	6	33	19	63932	5000
			M14	30	27,5	6	33	24	63942	5000
	2	26	M16	30	27,5	6	33	24	63952	5000
			M10	30	26,5	6	33	19	673492	5000
			M12	30	26,5	6	33	19	673502	5000
	2,5	25	M14	30	26,5	6	33	24	673512	5000
			M16	30	26,5	6	33	24	673522	5000
			M12	30	25,5	6	33	19	69695	5000
∅ 35	1,5	32	M10	35	32,5	8	43	19	63243	5000
			M12	35	32,5	8	43	19	63253	5000
			M14	35	32,5	8	43	24	63263	5000
			M16	35	32,5	8	43	24	63273	5000
			M20	35	32,5	8	43	30	64663	8000
∅ 40	1,5	37	M10	40	37,5	8	43	19	64323	5000
			M12	40	37,5	8	43	19	63882	5000
			M14	40	37,5	8	43	24	63892	5000
	2	36	M16	40	37,5	8	43	24	63902	5000
			M20	40	37,5	8	43	30	63922	8000
∅ 50	1,5	47	M16	40	36,5	8	43	24	66533	5000
			M20	40	36,5	8	43	30	64455	8000
			M16	50	47,8	10	55	24	68607	5000
			M20	50	47,5	10	55	30	68883	8000
			3/8"-16	50	47,8	10	55	19	692781	5000
	2	46	1/2"-13	50	47,8	10	55	19	692791	5000
			5/8"-11	50	47,8	10	55	24	692801	5000
			3/4"-10	50	47,8	10	55	30	692811	8000
			M16	50	47	10	55	24	617632	5000
			M20	50	47	10	55	30	617642	8000
2,5	45	M14	50	45,6	10	55	24	695411	5000	
		M16	50	45,5	10	55	24	63051	5000	
		M20	50	45,5	10	55	30	63001	8000	



Assembly

Pressure fitted.
Interference fit.

- Material : bushing in reinforced polyamid PA FV (black). Threaded insert in nickel plated brass.
- Packaging : 50 pieces.
- Fmax. = maximum applicable load in static conditions.

Tube dimensions B.S.I.

Outside dia. Inch	Thickness Inch	Inside dia. mm	Thread D	D1 mm	D2 mm	H mm	L mm	M mm	Code	Fmax. N ↓		
∅ 1,5"	0,065"	1,65	34,8	3/8"-16	38	35,5	8	43	19	661621	5000	
				1/2"-13	38	35,5	8	43	19	59231	5000	
				5/8"-11	38	35,5	8	43	24	59251	5000	
	0,120"	3,05	32	M16	38	35,5	8	43	24	62963	5000	
				3/8"-16	38	32,6	8	43	19	672231	5000	
				1/2"-13	38	32,6	8	43	19	61422	5000	
	∅ 2"	0,109"	2,77	45,3	5/8"-11	38	32,6	8	43	24	61432	5000
					3/4"-10	38	32,6	10	43	30	661631	8000
					3/8"-16	50	45,6	10	55	19	672241	5000
1/2"-13					50	45,6	10	55	19	61691	5000	
∅ 2"	0,109"	2,77	45,3	5/8"-11	50	45,6	10	55	24	59261	5000	
				3/4"-10	50	45,6	10	55	30	59241	8000	

Item code for order = Part. + Code

- Material : bushing in reinforced polyamid PA FV (black). Threaded insert in nickel plated brass.
- Packaging : 50 pieces.
- Fmax. = maximum applicable load in static conditions.



Threaded bushings

for round tubes

- Best choice
- Standard
- On request

Part. **S0710**



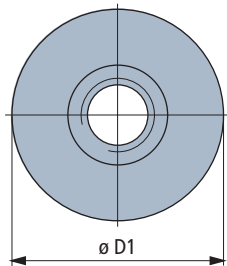
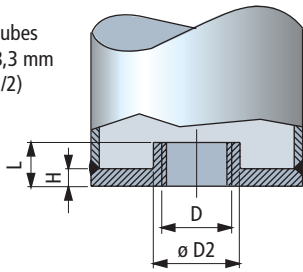
Tube dimensions

Outside dia.		Thread D	D1 mm	D2 mm	H mm	L mm	Code	Fmax. N ↓
mm	Poll"							
48,3	1" 1/2	M16	48,3	20	4	10	685682	20000
		M20	48,3	23	4	11,5	685692	

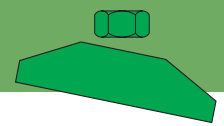
Item code for order = Part. + Code

- Assembly by welding.
- Material : austenitic stainless steel.
- Packaging : 48 pieces.
- Fmax. = maximum applicable load in static conditions.

For tubes
Ø 48,3 mm
(1" 1/2)



Threaded bushings for square tubes

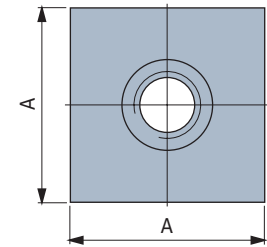
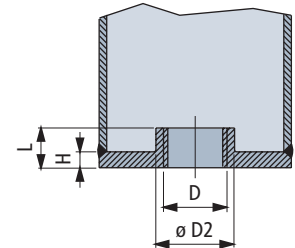


- ✔ **Best choice**
- ✔ **Standard**
- **On request**

Part. S0713

Metric tube dimensions

Outside mm	Thread D	A mm	D ₂ mm	H mm	L mm	Code	Fmax. N ↓
∅ 40	M16	40	20	4	10	685702	20000
	M20	40	23	4	11,5	685712	
∅ 45	M16	45	20	4	10	685722	
	M20	45	23	4	11,5	685732	
∅ 50	M16	50	20	4	10	685742	
	M20	50	23	4	11,5	685752	
∅ 60	M16	60	20	4	10	685762	
	M20	60	23	4	11,5	685772	



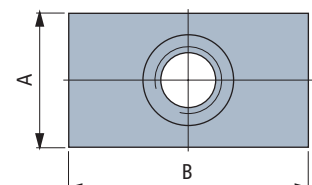
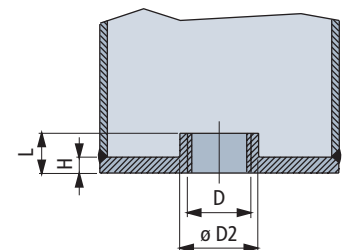
Item cod for order -Part. -Cod

- Assembly by welding.
- Material : austenitic stainless steel.
- Packaging : 48 pieces.
- Fmax. = maximum applicable load in static conditions.

Metric tube dimensions

Outside mm	Thread D	A mm	B mm	D ₂ mm	H mm	L mm	Code	Fmax. N ↓
40 x 80	M16	40	80	20	4	10	685782	20000
	M20	40	80	23	4	11,5	685792	

Part. S0714



Item cod for order -Part. -Cod

- Assembly by welding.
- Material : austenitic stainless steel.
- Packaging : 48 pieces.
- Fmax. = maximum applicable load in static conditions.

AUSTRALIA

Rexnord Australia Pty. Ltd.
Picton, New South Wales
Phone: 61-2-4677-3811
Fax: 61-2-4677-3812

BRAZIL

Rexnord Correntes Ltda.
Sao Leopoldo - RS
Phone: 55-51-579-8022
Fax: 55-51-579-8029

CANADA

Rexnord Canada Ltd.
Scarborough, Ontario
Phone: 1-416-297-6868
Fax: 1-416-297-6873

CHINA

Rexnord China
Shanghai
Phone: 86-21-62701942
Fax: 86-21-62701943

FLATTOP EUROPE

Rexnord FlatTop Europe b.v.
's-Gravenzande, The Netherlands
Phone: 31-174-445-111
Fax: 31-174-445-222

Rexnord Marbett S.r.L.
Correggio (RE), Italy
Phone: 39-0522-639333
Fax: 39-0522-637778

UNITED STATES

Customer Service
Phone: 1-866-REXNORD
(1-866-739-6673)
Fax: 1-614-675-1898
E-mail: rexnordcs(state)@rexnord.com
Example: rexnordcsohio@rexnord.com

Rexnord FlatTop North America
Grafton, Wisconsin
Phone: 1-262-376-4700
Fax: 1-262-376-4720

Rexnord International - Power Transmission
Milwaukee, Wisconsin
Phone: 1-414-643-2366
Fax: 1-414-643-3222
E-mail: international2@rexnord.com

ALL COUNTRIES NOT LISTED

Rexnord FlatTop Europe b.v.
's-Gravenzande, The Netherlands
Phone: 31-174-445-111
Fax: 31-174-445-222

After Hours/Emergency Phone:
31-174-445-112



www.rexnordflattop.com
flattopeurope@rexnord.com