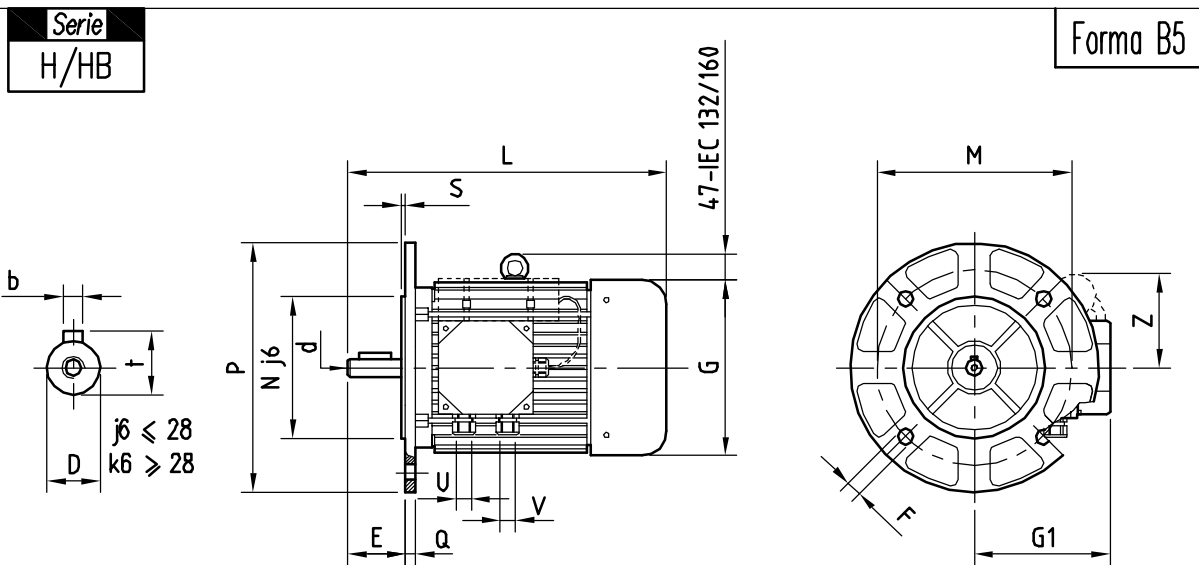


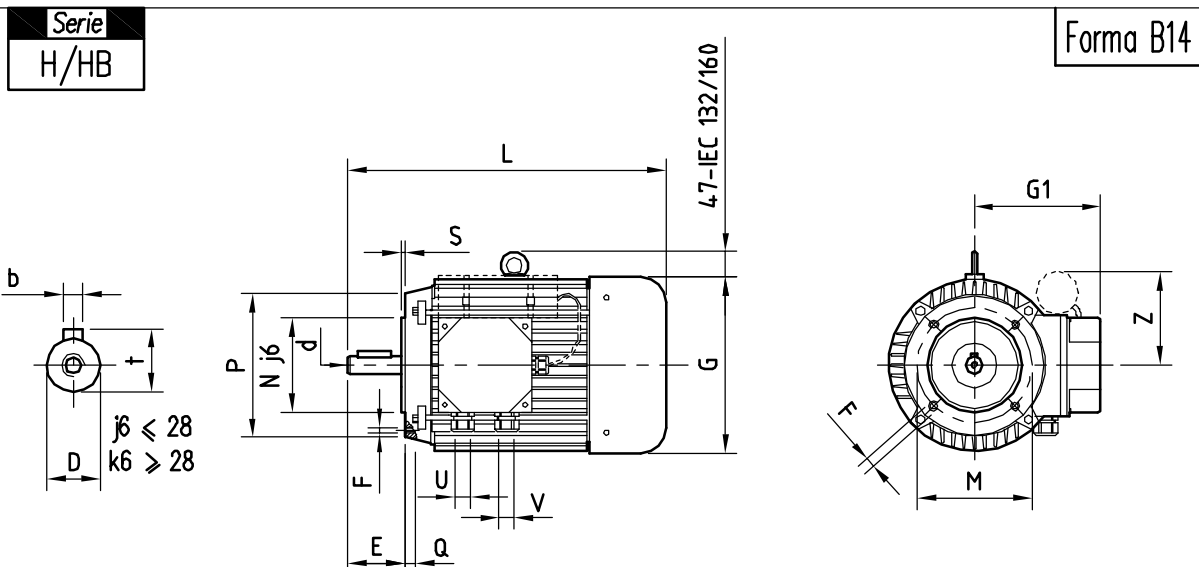
Serie H/HB **Forma B3**

IEC	A	A1	B	B1	C	K	K1	H	H1	G	G1	G2	W	D	E	b	t	d	Z	U	V	R	L
56	90	107	71	91	36	6	8	56	6.3	110	86	-	-	9	20	3	10.2	M4x10	73	-	PG11	-	190
63	100	120	80	101	40	7	10	63	7	125	93	102	29	11	23	4	12.5	M4x10	85	-	PG11	3/8"Gas	206
71	112	135	90	112	45	7	12	71	8	138	102	102	25	14	30	5	16	M5x12.5	75	-	PG11	3/8"Gas	252
80	125	152	100	125	50	9	13	80	11.5	155	122	119	25	19	40	6	21.5	M6x16	90	PG11	-	3/8"Gas	278
90S	140	170	100	130	56	9	13	90	13	176	126	124	40	24	50	8	27	M8x20	104	-	PG13.5	3/8"Gas	301
90L	140	170	125	155	56	9	13	90	13	176	126	124	40	24	50	8	27	M8x20	104	-	PG13.5	3/8"Gas	326
100L	160	193	140	170	63	12	17	100	13.5	193	139	142	45	28	60	8	31	M10x25	110	-	PG16	2x1/2"Gas	375
112M	190	220	140	182	70	12	18	112	14	219	150	172	27	28	60	8	31	M10x25	-	-	PG16	PG21	395
132S	216	261	140	182	89	12	22	132	16	257	179	200	57	38	80	10	41	M12x30	-	PG21	PG21	2xPG21	450
132M	216	261	178	220	89	12	22	132	16	257	179	200	57	38	80	10	41	M12x30	-	PG21	PG21	2xPG21	488
160M	254	318	210	260	108	14	25	160	20	310	224	240	47	42	110	12	45	M16x36	-	PG21	PG21	2xPG21	600
160L	254	318	254	304	108	14	25	160	20	310	224	240	47	42	110	12	45	M16x36	-	PG21	PG21	2xPG21	644



Serie H/HB **Forma B5**

IEC	G	G1	M	N	P	Q	S	F	D	E	b	t	d	Z	U	V	L
56	110	86	100	80	120	8	3	6.5	9	20	3	10.2	M4x10	73	-	PG11	190
63	125	93	115	95	140	9.5	3	9.5	11	23	4	12.5	M4x10	85	-	PG11	206
71	138	102	130	110	160	8.5	3.5	9	14	30	5	16	M5x12.5	96	-	PG11	252
80	155	122	165	130	200	9	3.5	11.5	19	40	6	21.5	M6x16	104	PG11	-	278
90S	176	126	165	130	200	10	3.5	11.5	24	50	8	27	M8x20	128	-	PG13.5	301
90L	176	126	165	130	200	10	3.5	11.5	24	50	8	27	M8x20	128	-	PG13.5	326
100L	193	139	215	180	250	11	4	14	28	60	8	31	M10x25	110	-	PG16	375
112M	219	150	215	180	250	11	4	14	28	60	8	31	M10x25	-	-	PG16	395
132S	257	179	265	230	300	15	4	14	38	80	10	41	M12x30	-	PG21	PG21	450
132M	257	179	265	230	300	15	4	14	38	80	10	41	M12x30	-	PG21	PG21	488
160M	310	224	300	250	350	14	5	18	42	110	12	45	M16x36	-	PG21	PG21	600
160L	310	224	300	250	350	14	5	18	42	110	12	45	M16x36	-	PG21	PG21	644



Serie H/HB **Forma B14**

IEC	G	G1	M	N	P	Q	S	F	D	E	b	t	d	Z	U	V	L
56	110	86	65	50	80	8	2.5	M5	9	20	3	10.2	M4x10	73	-	PG11	190
63	125	93	75	60	90	6.5	2.5	M5	11	23	4	12.5	M4x10	85	-	PG11	206
71	138	102	85	70	105	10	2.5	M6	14	30	5	16	M5x12.5	75	-	PG11	252
80	155	122	100	80	120	17	3	M6	19	40	6	21.5	M6x16	90	PG11	-	278
90S	176	126	115	95	140	10	3	M8	24	50	8	27	M8x20	104	-	PG13.5	301
90L	176	126	115	95	140	10	3	M8	24	50	8	27	M8x20	104	-	PG13.5	326
100L	193	139	130	110	160	11	3.5	M8	28	60	8	31	M10x25	110	-	PG16	375
112M	219	150	130	110	160	14	3.5	M8	28	60	8	31	M10x25	-	-	PG16	395
132S	257	179	165	130	200	15	4	M10	38	80	10	41	M12x30	-	PG21	PG21	450
132M	257	179	165	130	200	15	4	M10	38	80	10	41	M12x30	-	PG21	PG21	488

▲ B14 IEC 56÷71 = Fangia con 8 fori filettati - Flange with 8 threaded holes - Bride avec 8 trous taraudés
Flansch mit 8 Gewindebohrungen - Brida con 8 orificios roscados

▲ B14 IEC 80÷132 = Fangia con 4 fori filettati - Flange with 4 threaded holes - Bride avec 4 trous taraudés
Flansch mit 4 Gewindebohrungen - Brida con 4 orificios roscados

*B5 Rid. Corta = B5 Red. short – B5 Réd. courte – B5 Rid. lunga = B5 Red. long – B5 Réd. longue – B5 Rid. lunga = B5 Red. long – B5 Réd. longue – B5 Rid. lunga = B5 Red. long – B5 Réd. longue – B5 Rid. lunga = B5 Red. long – B5 Réd. longue – B5 Rid. lunga = B5 Red. long – B5 Réd. longue

Serie H/HB

Forma B5 Rid. corta

Serie H/HB

Forma B5 Rid. corta

IEC	G	G1	M	N	P	Q	S	F	D	E	b	t	d	Z	U	V	L
71	138	102	115	95	140	8	3.5	9	11 14	23 30	4 5	12.5 16	M4x10 M5x12.5	75	-	PG11	245 252
80	155	122	130	110	160	8.5	3.5	9.5	14 19	30 40	5 6	16 21.5	M5x12.5 M6x16	90	PG11	-	268 278
90S	176	126	130	110	160	9.5	3.5	9.5	19 24	40 50	6 8	21.5 27	M6x16 M8x20	104	-	PG13.5	291 301
90L	176	126	130	110	160	9.5	3.5	9.5	19 24	40 50	6 8	21.5 27	M6x16 M8x20	104	-	PG13.5	316 326
100L	193	139	165	130	200	10	3.5	11.5	24 28	50 60	8	27 31	M8x20 M10x25	110	-	PG16	365 375

Serie H/HB

Forma B14 Rid.

Serie H/HB

Forma B14 Rid.

IEC	G	G1	M	N	P	Q	S	F	D	E	b	t	d	Z	U	V	L
56	110	86	65	50	80	8	2.5	M5	9	20	3	10.2	M4x10	73	-	PG11	190
63	125	93	65	50	90	6.5	2.5	M5	9	20	3	10.2	M4x10 M4x10	85	-	PG11	203 206
71	138	102	75	60	105	10	2.5	M5	11 14	23 30	4 5	12.5 16	M4x10 M5x12.5	75	-	PG11	245 252
80	155	122	85	70	120	17	3	M6	14 19	30 40	5 6	16 21.5	M5x12.5 M6x16	90	PG11	-	268 278
90S	176	124	100	80	140	10	3	M6	19 24	40 50	6 8	21.5 27	M6x16 M8x20	104	-	PG13.5	291 301
90L	176	124	100	80	140	10	3	M6	19 24	40 50	6 8	21.5 27	M6x15 M8x20	104	-	PG13.5	316 326
100L	193	139	115	95	160	11	3.5	M8	24 28	50 60	8	27 31	M8x20 M10x25	110	-	PG16	365 375
112M	219	150	115	95	160	14	3.5	M8	24 28	50 60	8	27 31	M8x20 M10x25	-	-	PG16	385 395
132S	257	179	130	110	200	15	4	M8	28 38	60 80	8 10	31 41	M10x25 M12x30	-	PG21	PG21	430 450
132M	257	179	130	110	200	15	4	M8	28 38	60 80	8 10	31 41	M10x25 M12x30	-	PG21	PG21	468 488

Serie H/HB

Forma B5 Rid. lunga

Serie H/HB

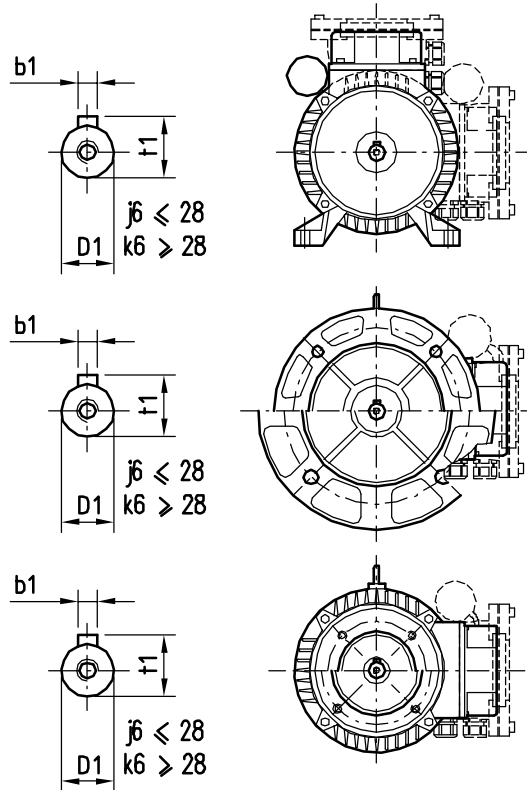
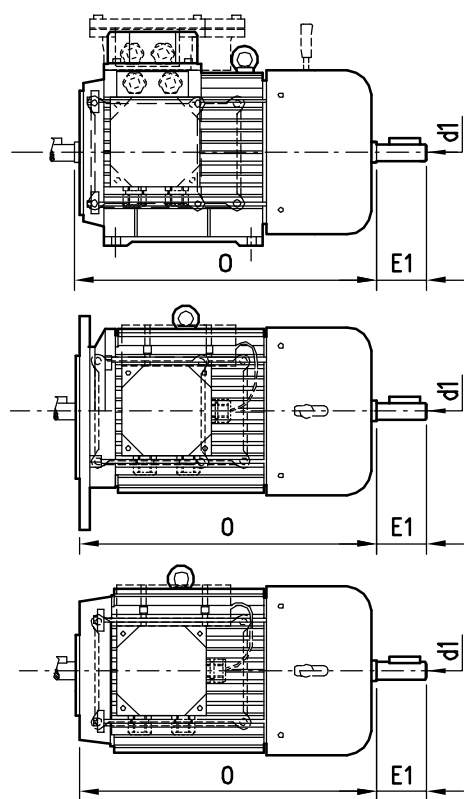
Forma B5 Rid. lunga

IEC	G	G1	M	N	P	Q	S	F	D	E	b	t	d	Z	U	V	L
71	138	102	115	95	140	10	3	9.5	11 14	23 30	4 5	12.5 16	M4x10 M5x12.5	75	-	PG11	265 272
80	155	122	130	110	160	12	3.5	9.5	14 19	30 40	5 6	16 21.5	M5x12.5 M6x16	90	PG11	-	287 297
90S	176	124	130	110	160	12	3.5	9.5	19 24	40 50	6 8	21.5 27	M6x16 M8x20	104	-	PG13.5	314 324
90L	176	124	130	110	160	12	3.5	9.5	19 24	40 50	6 8	21.5 27	M6x16 M8x20	104	-	PG13.5	339 349
100L	193	139	165	130	200	13	3.5	11.5	24 28	50 60	8	27 31	M8x20 M10x25	110	-	PG16	388 398
112M	219	150	165	130	200	13	3.5	11.5	24 28	50 60	8	27 31	M8x20 M10x25	-	-	PG16	417 427
132S	257	179	215	180	250	13	4	14	28 38	60 80	8 10	31 41	M10x25 M12x30	-	PG21	PG21	474 494
132M	257	179	215	180	250	13	4	14	28 38	60 80	8 10	31 41	M10x25 M12x30	-	PG21	PG21	512 532
160M ø250	310	224	215	180	250	16	4	14	38 42	80 110	10 12	41 45	M12x30 M16x36	-	PG21	PG21	635 665
160L ø250	310	224	215	180	250	16	4	14	38 42	80 110	10 12	41 45	M12x30 M16x36	-	PG21	PG21	679 709
160M ø300	310	224	265	230	300	16	4	14	38 42	80 110	10 12	41 45	M12x30 M16x36	-	PG21	PG21	635 665
160L ø300	310	224	265	230	300	16	4	14	38 42	80 110	10 12	41 45	M12x30 M16x36	-	PG21	PG21	679 709

*B5 Rid. Corta = B5 Red. short – B5 Réd. courte – B5 Rid. lunga = B5 Red. long – B5 Réd. longue – B5 Rid. lunga = B5 Red. long – B5 Réd. longue – B5 Rid. lunga = B5 Red. long – B5 Réd. longue – B5 Rid. lunga = B5 Red. long – B5 Réd. longue – B5 Rid. lunga = B5 Red. long – B5 Réd. longue

Serie
H/HB-K/KB-AC

Forma B3-B5-B5 Rdi. corta-B14-B14 Rid.



- ▲ B5 Ridotta corta IEC 71±100 = scatola coprimorsettiera lato ventola
- B5 Red. short IEC 71±100 = terminal box cover fan side
- B5 Réd. courte IEC 71±100 = couvercle de boîte à borne côté ventilateur
- B5 Red. kurz IEC 71±100 = klemmkastendeckel Fan Seite
- B5 Red. corta IEC 71±100 = caja de bornes lado del ventilador

Serie
H/HB-K/KB-AC

Forma B3-B5-B5 Rid. corta-B14-B14 Rid.

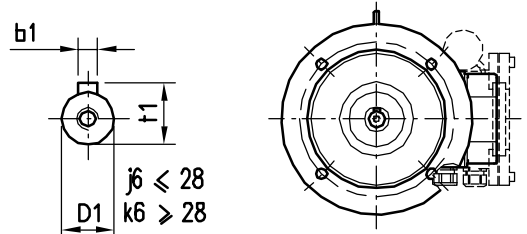
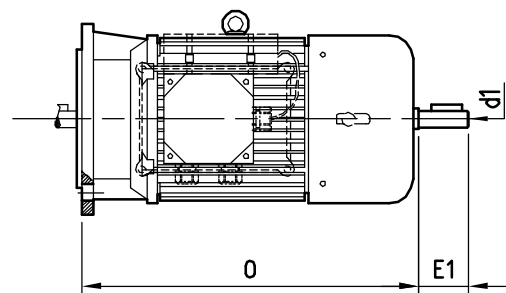
IEC	H/HB					K/KB - AC					B3-B5			B5 Rid. Corta			B14-B14 Rid		
	D1	E1	b1	t1	d1	D1	E1	b1	t1	d1	H HB	K KB	AC	H HB	K KB	AC	H HB	K KB	AC
63	9 11	20 23	3 4	10.2 12.5	M4x10	9	20	3	10.2	M4x10	189	250	-	-	-	-	189	250	-
71	11 14	23 30	4 5	12.5 16	M4x10 M5x12.5	11	23	4	12.5	M4x10	224	277	290	224	277	290	224	277	290
80	14 19	30 40	5 6	16 21.5	M5x12.5 M6x16	14	30	5	16	M5x12.5	246	302	316	246	302	316	246	302	316
90S	19 24	40 50	6 8	21.5 27	M6x16 M8x20	19	40	6	21.5	M6x16	256	311	325	256	311	325	256	311	325
90L	19 24	40 50	6 8	21.5 27	M6x16 M8x20	19	40	6	21.5	M6x16	281	336	350	281	336	350	281	336	350
100L	24 28	50 60	8	27 31	M8x20 M10x25	24	50	8	27	M8x20	322	394	406	322	394	406	322	394	406
112M	24 28	50 60	8	27 31	M8x20 M10x25	24	50	8	27	M8x20	350	417	428	-	-	-	350	417	428
132S	28 38	60 80	8 10	31 41	M10x25 M12x30	28	60	8	31	M10x25	379	478	488	-	-	-	379	478	488
132M	28 38	60 80	8 10	31 41	M10x25 M12x30	28	60	8	31	M10x25	417	516	526	-	-	-	417	516	526
160M	38 42	80 110	10 12	41 45	M12x30 M16x36	-	-	-	-	-	500	-	-	-	-	-	-	-	-
160L	38 42	80 110	10 12	41 45	M12x30 M16x36	-	-	-	-	-	544	-	-	-	-	-	-	-	-

- ▲ B14 IEC 56÷71 = Fangia con 8 fori filettati - Flange with 8 threaded holes - Bride avec 8 trous taraudés
Flansch mit 8 Gewindebohrungen - Brida con 8 arifícios roscados

- ▲ B14 IEC 80÷132 = Fangia con 4 fori filettati - Flange with 4 threaded holes - Bride avec 4 trous taraudés
Flansch mit 4 Gewindebohrungen - Brida con 4 orifícios roscados

Serie
H/HB-K/KB-AC

Forma B5 Rid. lunga



Serie
H/HB-K/KB-AC

Forma B5 Rid. lunga

IEC	H/HB					K/KB - AC					B5 Rid. Lunga		
	D1	E1	b1	t1	d1	D1	E1	b1	t1	d1	H HB	K KB	AC
71	11 14	23 30	4 5	12.5 16	M4x10 M5x12.5	11	23	4	12.5	M4x10	244	297	310
80	14 19	30 40	5 6	16 21.5	M5x12.5 M6x16	14	30	5	16	M5x12.5	265	321	335
90S	19 24	40 50	6 8	21.5 27	M6x16 M8x20	19	40	6	21.5	M6x16	279	334	348
90L	19 24	40 50	6 8	21.5 27	M6x16 M8x20	19	40	6	21.5	M6x16	304	359	373
100L	24 28	50 60	8	27 31	M8x20 M10x25	24	50	8	27	M8x20	345	417	429
112M	24 28	50 60	8	27 31	M8x20 M10x25	24	50	8	27	M8x20	382	449	460
132S	28 38	60 80	8 10	31 41	M10x25 M12x30	28	60	8	31	M10x25	423	522	532
132M	28 38	60 80	8 10	31 41	M10x25 M12x30	28	60	8	31	M10x25	461	560	570
160M ø250	38 42	80 110	10 12	41 45	M12x30 M16x36	-	-	-	-	-	565	-	-
160L ø250	38 42	80 110	10 12	41 45	M12x30 M16x36	-	-	-	-	-	609	-	-
160M ø300	38 42	80 110	10 12	41 45	M12x30 M16x36	-	-	-	-	-	565	-	-
160L ø300	38 42	80 110	10 12	41 45	M12x30 M16x36	-	-	-	-	-	609	-	-

x B5 Rid. Corta = B5 Red. short - B5 Réd. courte - B5 Red. kurz - B5 Red. corta / x B5 Rid. Lunga = B5 Red. long - B5 Réd. longue - B5 Red. lang - B5 Red. lunga

x B5 Rid. Corta = B5 Red. short - B5 Réd. courte - B5 Red. kurz - B5 Red. corta / x B5 Rid. Lunga = B5 Red. long - B5 Réd. longue - B5 Red. lang - B5 Red. lunga