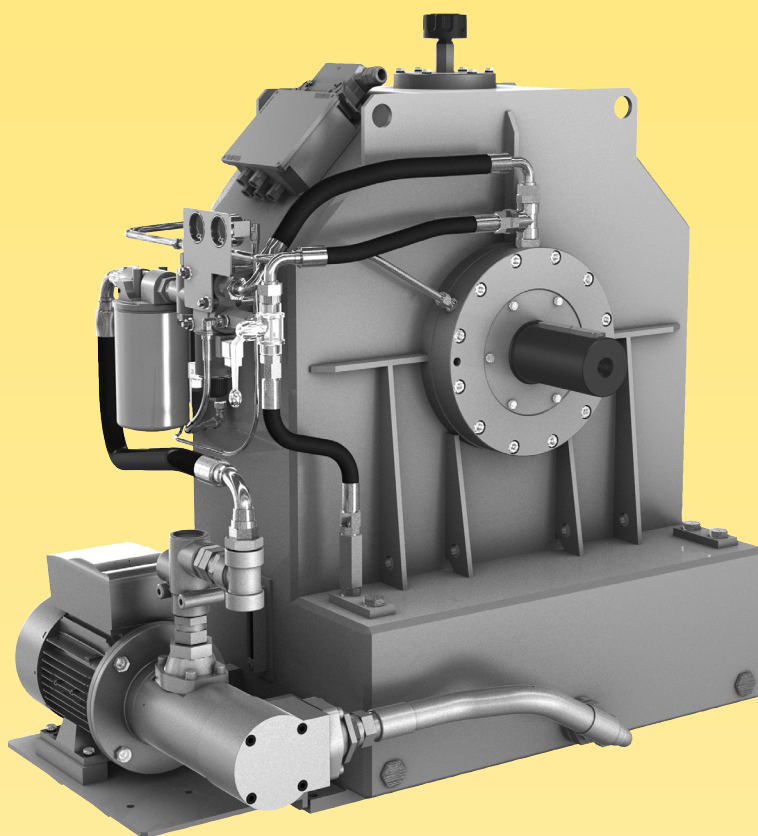


TRANSFLUID



# TRANSFLUID

**trasmissioni industriali**



**drive with us**

**KPT**  
VARIABLE FILL FLUID COUPLINGS

# FLUID COUPLINGS KPT SERIES

## DESCRIPTION

The **KPT** is a variable fill fluid coupling designed to be a start up drive or a variable speed drive.

The KPT has an externally driven oil feeding pump and a remote electrically operated ON-OFF valve. When the valve is turned ON, the fluid coupling circuit is fed, when it is turned OFF, rapid oil drain occurs through orifices located on the periphery of the coupling.

The forced bearing lubrication is continuously assured.

The KPT control is achieved by on/off solenoid valve modulation or oil flow control valve (4-20mA signal) to obtain more accurate start up control and/or speed variation.

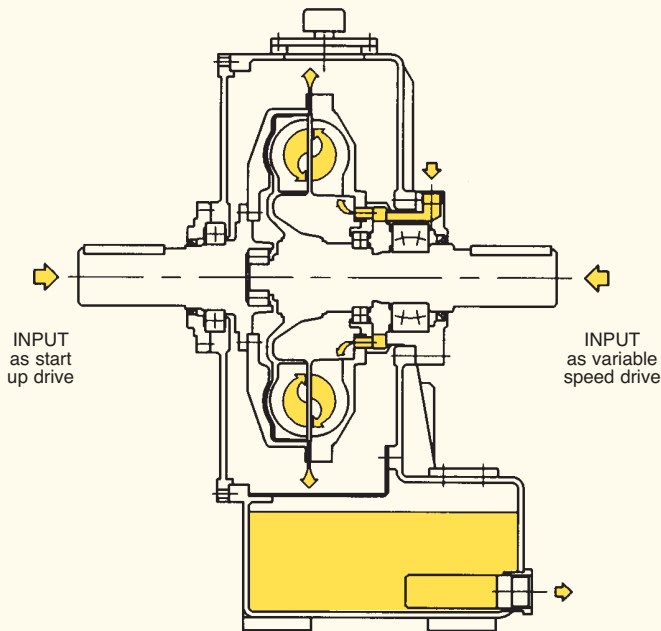
The KPT range is suitable for powers up to 1700 kW as start up drive and 600 kW as variable speed drive.

The input and output straight shafts can be connected to electric motor diesel/engine and driven machine by elastic and flexible couplings.

Standard accessories: oil motor pump, oil filter with pressure and temperature gauges, ON-OFF electric valve, oil temperature and pressure switches, oil level indicators, connecting wiring box with plug.

Optionals: oil flow control valve water or air heat exchanger, quick release valves, output pulley, flexible and elastic couplings, cardan shafts, electric control board.

## WORKING SCHEME



rpm	SELECTION TABLE (kW)						
	15	17	19	21	24	27	29
1000	-	-	70	100	150	220	350
1200	-	-	90	150	220	300	520
1500	-	-	160	230	315	570	1000
1800	-	-	275	400	545	1000	1700
3000	315	560	-				
3600	450	600					

## FEATURES

The variable fill fluid coupling allows to disconnect the prime mover from the load, granting the following advantages:

- motor start up at no load
- smooth start up even possible under nominal motor current
- shock and overload protection
- torsional vibration dampening
- high radial load capacity (KPTe)
- no belt slip
- remote control
- load positioning
- cheap and easy maintenance due to external mounting of main accessories like oil filter, feeding pump, control valve
- longer life thanks to no friction linings to wear out
- accurate variable speed performances.
- special hazardous area design available upon request

## APPLICATIONS

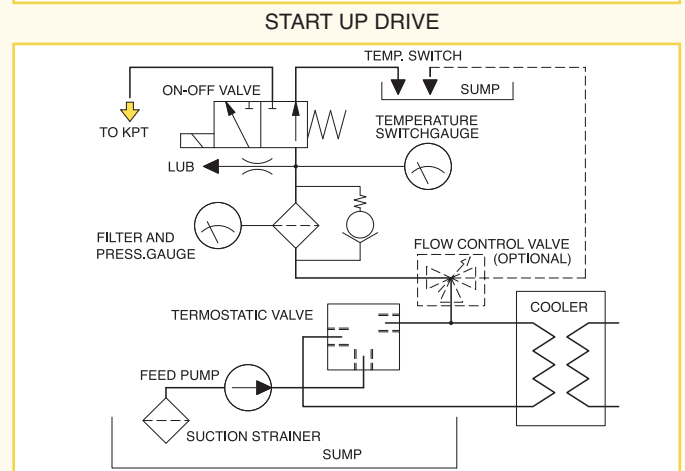
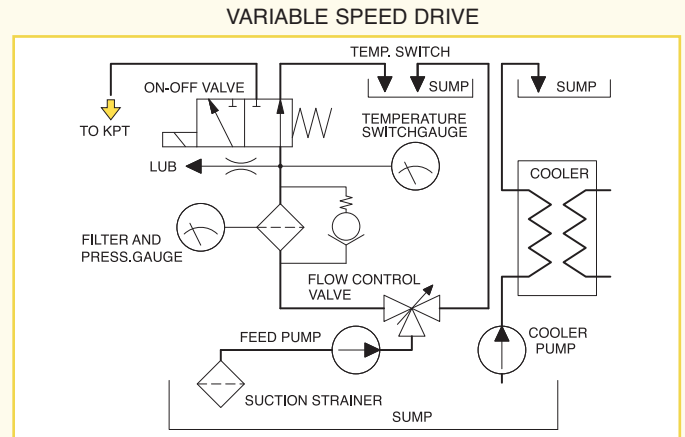
### start up drive:

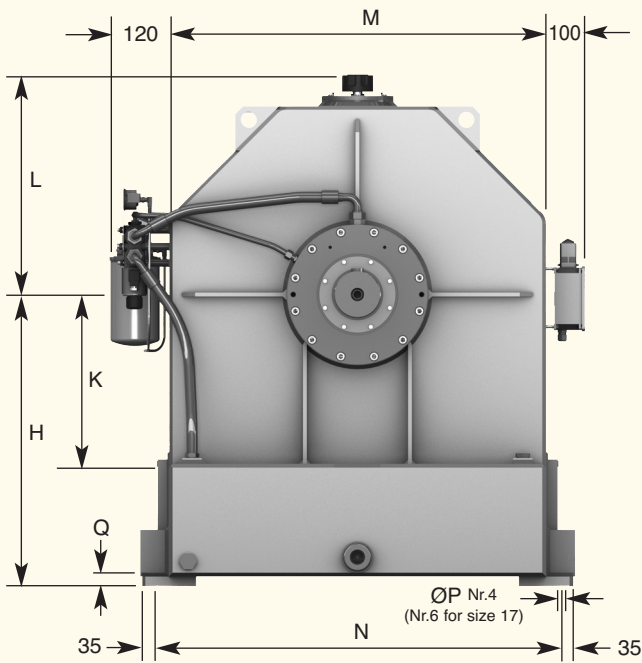
- mills, crushers, wood chippers, grinders
- belt conveyors
- reciprocating and centrifugal pumps, compressors
- marine propulsion
- generators
- centrifuges, fans and blowers
- mixers.

### variable speed drives:

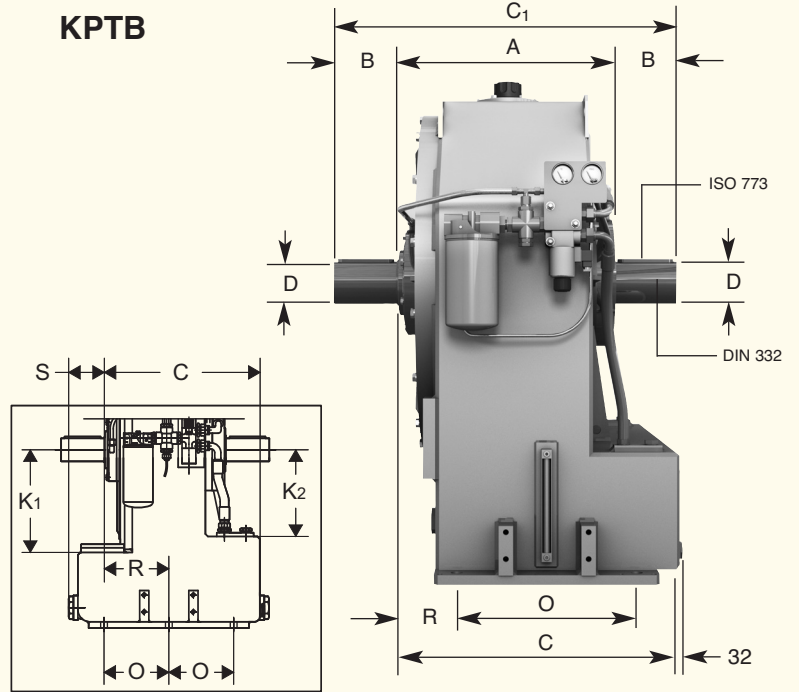
- centrifugal pumps and compressors
- fans and blowers.
- mills, belt conveyors (inspection speed)

## HYDRAULIC CIRCUIT





## KPTB



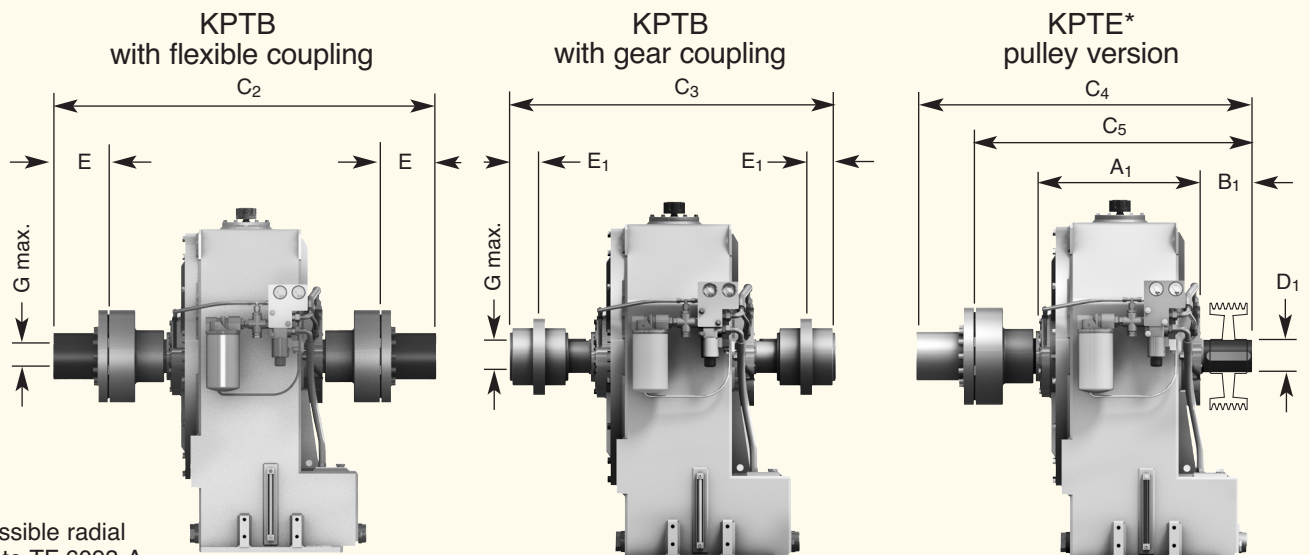
Only for 17 KPTB

Size Dimensions

Size	A	A <sub>1</sub>	B	B <sub>1</sub>	C	C <sub>1</sub>	C <sub>2</sub>	C <sub>3</sub>	C <sub>4</sub>	C <sub>5</sub>	D	D <sub>1</sub>	E	E <sub>1</sub>	G
15	390	402	110	130	502	610	836	772	723	613	65	70	90	76	75
17	396	406	120	150	506	636	864	798	750	640	75	80	110	76	95
19	396	406	120	150	506	636	864	798	750	640	75	80	110	76	95
21/24	451	463/539	140	180	586	731	1079	921	905	735	85	100	122	90	110
27	560	664	180	220	689	920	1270	1142	1095	925	100	115	145	105	120
29	610	-	180	-	739	970	1400	1192	1185	975	120	-	165	105	135

Size Dimensions

Size	G <sub>1</sub>	H	K	K <sub>1</sub>	K <sub>2</sub>	L	M	N	O	P	Q	R	S	Flexible coupling	Gear coupling	Weight (kg) w/o oil	Oil (lt)
15	85	520	282	-	-	420	670	730	280	22	20	137	-	B3M 48	2 1/2"	280	40
17	85	580	-	334	282	420	670	730	211	22	20	210	116	B3M 55	2 1/2"	500	85
19	85	520	282	-	-	420	670	730	280	22	20	141	-	B3M 55	2 1/2"	305	40
21/24	100	625	350	-	-	487	820	880	325	26	25	146	-	B3M 60	3"	485/503	80
27	120	700	385	-	-	522	890	960	390	29	25	184	-	B3M 70	3 1/2"	800	115
29	120	750	435	-	-	562	970	1040	440	29	25	184	-	B3M 80	3 1/2"	1100	142



\* For admissible radial loads refer to TF 6093-A.

Dimensions can be changed without notice

Tables for the preliminary selection of the coolers:

- KPTB with single oil pump  
(with flow control valve if used as variable speed drive)
- Refer to variable speed drive or start up drive column
- Max power = max power absorbed at max speed
- Output water temperature 35°C

Variable speed application			
Fluid Coupling max. power (kW)	Water-Oil Cooler Model	Required Water Flow (lt/min) at 25°C	Air-Oil Cooler Model (air=30°C)
100	05048•	31	GATF5940BE
150	05048•	47	GATF5940BK
200	06060• SP3-11••	62	GATF5940BO
300	06060• SP3-11••	94	GATF5940BS
400	06096• SP3-19••	125	GATF5940BW
500	08084• SP3-31••	157	GATF5940BW
600	08084• SP3-31••	188	GATF5940CA

Start-up application			
Fluid Coupling max. power (kW)	Water-Oil Cooler Model	Required Water Flow (lt/min) at 25°C	Air-Oil Cooler Model (air=30°C)
100	03014•	8	GATF5940CK
150	03024•	11	GATF5940CK
200	03024•	15	GATF5940CK
300	05024•	23	GATF5940CK
400	05048•	31	GATF5940CK
500	05048•	39	GATF5940CL
600	05048•	47	GATF5940CL
700	06060• SP3-11••	55	GATF5940CM
800	06060• SP3-11••	62	GATF5940CM
900	06060• SP3-11••	70	GATF5940CM
1000	06060• SP3-11••	78	GATF5940CM
1200	06060• SP3-11••	94	GATF5940BS
1400	06096• SP3-19••	110	GATF5940BS
1600	06096• SP3-19••	125	GATF5940BW

- Tube bundle heat exchanger
- Plate heat exchanger

## AUSTRALIA

TRANSFLUID AUSTRALIA PTY LTD  
NSW 2164 Smithfield  
Tel.: +61.297572655  
Fax: +61.297560181  
tfaustralia@transfluid.it

## CHINA

TRANSFLUID BEIJING TRADE CO. LTD  
Beijing  
Tel.: +86.60442301-2  
Fax: +86.60442305  
tbtcinfo@sina.com

## FRANCE

TRANSFLUID FRANCE s.a.r.l.  
38500 Voiron  
Tel.: +33.9.75635310  
Fax: +33.4.26007959  
tfrance@transfluid.it

## RUSSIAN FEDERATION

TRANSFLUID OOO  
Moscow Region  
Tel.: +7.495.7782042  
Mob.: +7.926.8167357  
tfrussia@transfluid.it

## U.S.A. & CANADA

TRANSFLUID LLC  
Auburn, GA30011  
Tel.: +1.770.8221777  
Fax: +1.770.8221774  
tfusa@transfluid.it

## BRAZIL

TRANSFLUID DO BRASIL  
Representative Office  
05014-060 Sao Paulo SP  
Tel.: +55.11.48235308  
Fax: +55.11.48235308  
tfbrazil@transfluid.it

LOCAL DISTRIBUTOR

Global web site: [www.transfluid.eu](http://www.transfluid.eu)  
E-commerce web site: [www.buy-transfluid.com](http://www.buy-transfluid.com)